

KIRG

IMPORTERS PTY. LTD.

PRODUCT CATALOGUE 2022

“Servicing the Industry”

Tel +61 3 9465 6955
Fax +61 3 9465 6977
Email sales@kirg.com.au
www.facebook.com/kirgimporters

























www.kirg.com.au

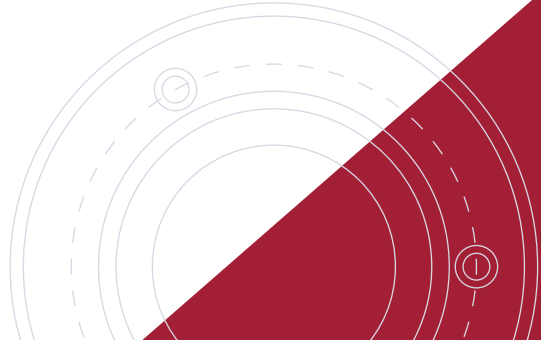
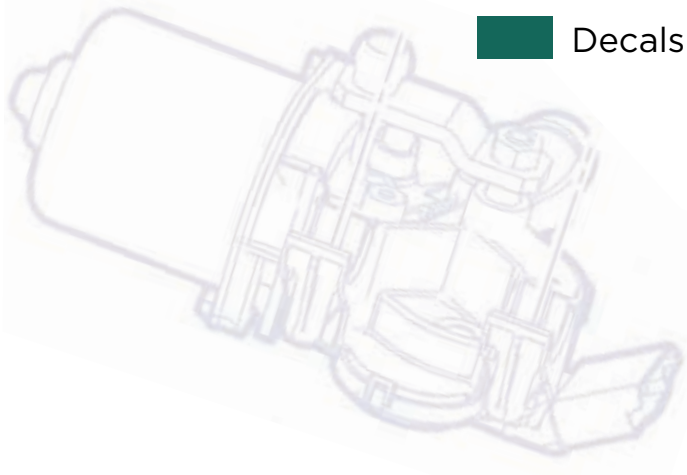
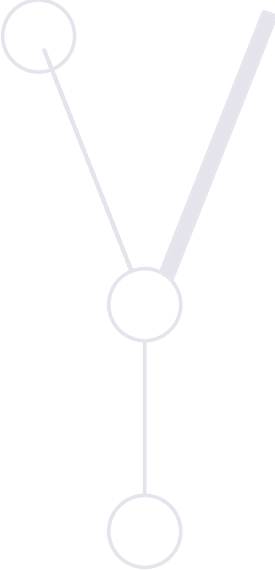


Contents

Section

Page

-  Column Switches..... 4-7
-  Rocker Switches..... 8-15
-  Rocker Switch Accessories.....16-17
-  Switch Inserts18-27
-  SWF Wiper Blades & Refills..... 28-30
-  SWF Wiper Pivots31-32
-  SWF Wiper Cranks & Linkages..... 33-34
-  Wiper Arms & Blades 35
-  Trico Wiper Parts.....36-37
-  Wiper Motors..... 38
-  Wiper Components..... 39-41
-  Mirrors 42-46
-  Mirror Arms & Accessories..... 47-48
-  Mirrors & Accessories..... 49
-  Toilet Components.....50-54
-  Ventilation.....55-58
-  Handles59-60
-  Locks..... 61-62
-  Lighting..... 63-64
-  School Bus Lighting 65
-  Electrical..... 66-69
-  Heater Motors..... 70-71
-  Accessories72-74
-  Decals 75





INDICATOR STALK

201 039



INDICATOR STALK

201 205



MULTI-FUNCTION SWITCH

201 246



WIPER/WASHER SWITCH

201 307



WIPER/WASHER SWITCH

202 770



INDICATOR STALK

201 725



MULTI-FUNCTION SWITCH

201 728



MULTI-FUNCTION SWITCH

201 789



INDICATOR STALK

202 647



INDICATOR/CRUISE SWITCH

202 730T



INDICATOR STALK

202 731T



SPEED SELECTOR SWITCH

202 366

A wide range of models are available to suit your application.



MULTI-FUNCTION SWITCH

202 850T



MULTI-FUNCTION SWITCH

203 117



MULTI-FUNCTION SWITCH

202 243



MULTI-FUNCTION SWITCH

202 624



WASHER SWITCH

201 563



MULTI-FUNCTION SWITCH

202 627



INDICATOR

202 885



CAST-IRON CASTING

288 639



PLASTIC CASING

294 700



INDICATOR

E-252390



WASHER/WIPER SWITCH

201 726T



WASHER/WIPER SWITCH

202 341T

A wide range of models are available to suit your application.



INDICATOR SWITCH W/CRUISE
202 340T



INDICATOR SWITCH W/HAZARD
201 627T



WIPER/WASHER SWITCH
202 683T



WASHER SWITCH
202 770T



MULTI-FUNCTION SWITCH
203 118T



MULTI-FUNCTION SWITCH
202 921T



MULTI-FUNCTION SWITCH
203 363T



WIPER/WASHER SWITCH
202 648



INDICATOR SWITCH
E-1542529



INDICATOR SWITCH
201 043T



INDICATOR SWITCH
201 002



INDICATOR SWITCH
202 072

A wide range of models are available to suit your application.



INDICATOR SWITCH
201 329



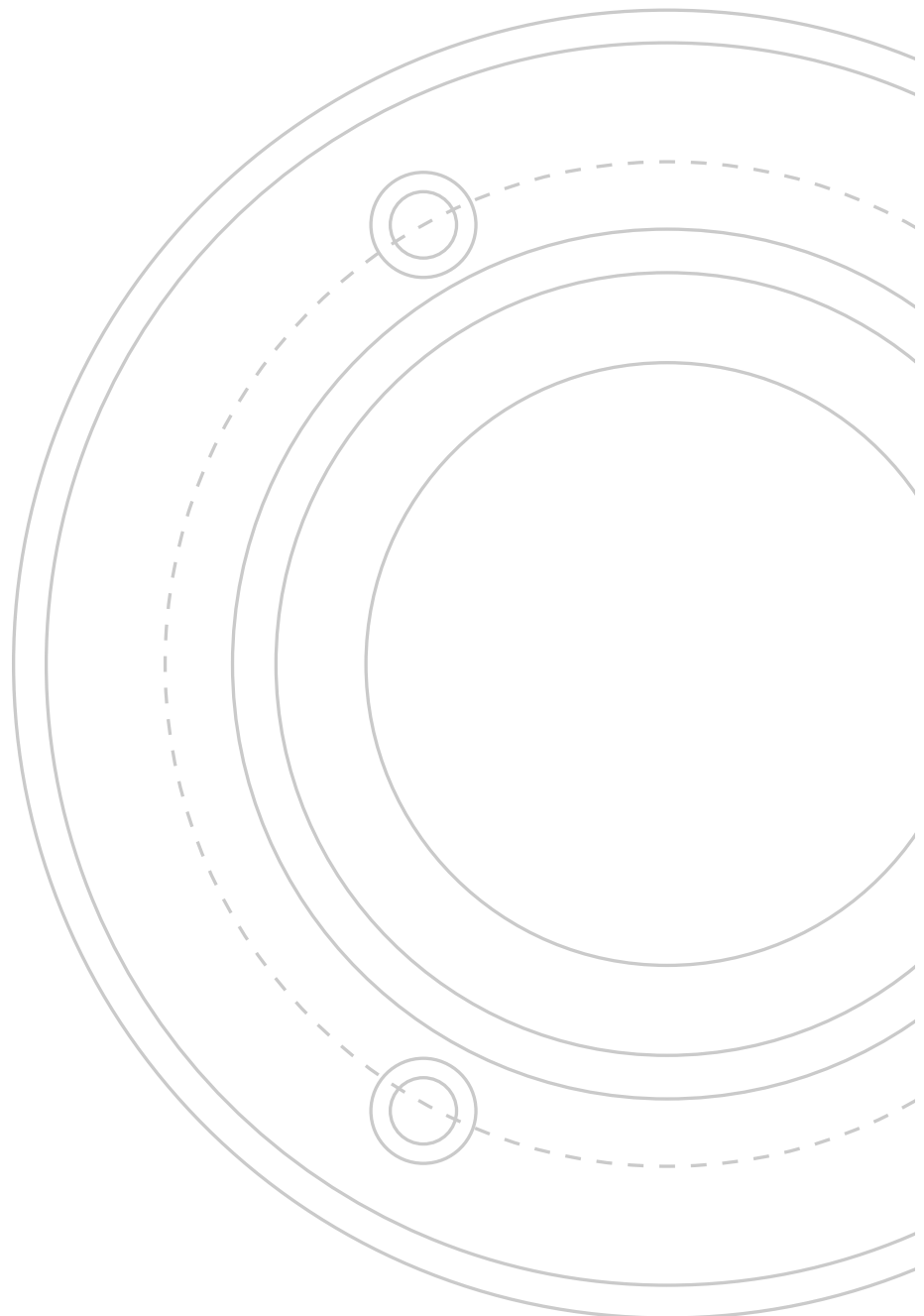
INDICATOR SWITCH
201 048



INDICATOR SWITCH
201 280



MULTI-FUNCTION SWITCH - SPRINTER
E-MBSPT01





511 Rocker Switch (No Dim)



511 Rocker Switch (Half Dim)



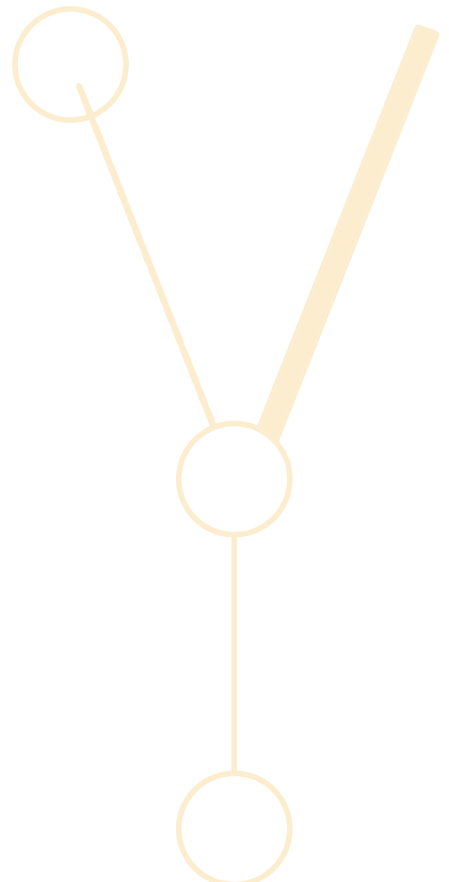
511 Rocker Switch (Full Dim)



511 Rocker Switch (Lockable)



533 Rocker Switch L.E.D.



See pages 9-15 for functions of switches



NORMALLY OPEN CONTACT

Action	Wiring Diagram	Notes	Illumination	Voltage	511 Series	533 Series
OFF ON		Single Pole	Nil	12-24	511 000	533 000
			Function	12 24	511 001 511 002	- -
			Location	12 24	511 003 511 004	533 003 533 004
			Function +	12	511 005	533 005
			Location	24	511 006	533 006
OFF ON		Single Pole Lock Out (O) & (I)	Nil	12-24	511 174	533 174
			Function	12 24	511 175 511 176	- -
			Location	12 24	511 177 511 178	533 177 533 178
			Function +	12	511 179	-
			Location	24	511 180	-
OFF ON		Single Pole Dual Terminal	Nil	12-24	511 012	533 012
			Function	12 24	511 013 511 014	- -
			Location	12 24	511 015 511 016	533 015 533 016
			Function +	12	511 017	533 017
			Location	24	511 018	533 018
OFF ON		Single Pole Lock Out (I)	Nil	12-24	511 167	533 167
			Function	12 24	511 168 511 169	- -
			Location	12 24	511 170 511 171	533 170 533 171
			Function +	12	511 172	-
			Location	24	511 173	-
OFF Mom.ON		Single Pole	Nil	12-24	511 007	533 007
			Function	12 24	511 008 511 009	- -
			Location	12 24	511 010 511 011	533 010 533 011
			Function +	12	-	533 800
			Location	24	-	533 801
OFF Mom.ON		Single Pole Lock Out (O)	Nil	12-24	511 160	533 160
			Function	12 24	511 161 511 162	- -
			Location	12 24	511 163 511 164	533 163 533 164
			Function +	12	511 165	-
			Location	24	511 166	-
OFF Mom.ON		Double Pole	Nil	12-24	511 127	533 127
			Function	12 24	511 128 511 129	- -
			Location	12 24	511 130 511 131	533 130 533 131
			Function +	12	-	533 802
			Location	24	-	533 803



CHANGE-OVER CONTACT

Action	Wiring Diagram	Notes	Illumination	Voltage	511 Series	533 Series
ON ON		Single Pole	Nil	12-24	511 019	533 019
			Function	12 24	511 020 511 021	- -
			Location	12 24	511 022 511 023	533 022 533 023
			Function + Location	12	511 024	533 024
			Location	24	511 025	533 025
ON ON		Double Pole	Nil	12-24	511 105	533 105
			Function	12 24	511 106 511 107	- -
			Location	12 24	511 108 511 109	533 108 533 109
			Function + Location	12	511 110	533 110
			Location	24	511 111	533 111
OFF ON		Double Pole Lock Out (I)	Nil	12-24	511 233	533 233
			Function	12 24	511 234 511 235	- -
			Location	12 24	511 236 511 237	533 236 533 237
			Function + Location	12	511 238	-
			Location	24	511 239	-
ON ON		Double Pole Lock Out (O & I)	Nil	12-24	511 181	533 181
			Function	12 24	511 182 511 183	- -
			Location	12 24	511 184 511 185	533 184 533 185
			Function + Location	12	511 186	-
			Location	24	511 187	-
OFF Mom.ON		Double Pole	Nil	12-24	511 197	533 197
			Function	12 24	511 198 511 199	- -
			Location	12 24	511 200 511 201	533 200 533 201
			Function + Location	12	-	533 804
			Location	24	-	533 805



NO CONTACT / CHANGE-OVER CONTACT

Action	Wiring Diagram	Notes	Illumination	Voltage	511 Series	533 Series
OFF ON ON		Single Pole	Nil	12-24	511 026	533 026
			Function	12 24	511 027 511 028	- -
			Location	12 24	511 029 511 030	533 029 533 030
			Function +	12	511 031	533 031
			Location	24	511 032	533 032
Refer to Comments		Single Pole Used for one speed wiper motor and washer. Includes park circuit. Lock Out (l) 31b = Park Circuit 53 = Motor 53a = Positive P = Pump	Nil	12-24	511 202	533 202
			Function	12 24	511 203 511 204	- -
			Location	12 24	511 205 511 206	533 205 533 206
			Function +	12	511 207	-
			Location	24	511 208	-
ON ON ON		Double Pole	Nil	12-24	511 095	533 095
			Function	12 24	511 096 511 097	- -
			Location	12 24	511 098 511 099	533 098 533 099
			Function +	12	-	533 814
			Location	24	-	533 815
OFF ON ON		Double Pole Special Headlamp	Nil	12-24	511 085	533 085
			Function	12 24	511 086 511 087	- -
			Location	12 24	511 088 511 089	533 088 533 089
			Function +	12	511 138	533 138
			Location	24	511 137	533 137
OFF ON Mom.ON		Double Pole Special Wiper/Washer Lock Out (l)	Nil	12-24	511 264	533 264
			Function	12 24	511 265 511 266	- -
			Location	12 24	511 267 511 268	533 267 533 268
			Function +	12	511 269	-
			Location	24	511 270	-
OFF ON ON		Double Pole Special	Nil	12-24	511 139	533 139
			Function	12 24	511 140 511 141	- -
			Location	12 24	511 142 511 143	533 142 533 143
			Function +	12	511 144	533 144
			Location	24	511 145	533 145
ON ON Mom.ON		Double Pole Special	Nil	12-24	511 240	533 240
			Function	12 24	511 241 511 242	- -
			Location	12 24	511 243 511 244	533 243 533 244
			Function +	12	511 245	533 245
			Location	24	511 246	533 246



CHANGE-OVER CONTACT I - 0 - II cont.

Action	Wiring Diagram	Notes	Illumination	Voltage	511 Series	533 Series
Mom.ON OFF Mom.ON		Single Pole	Nil	12-24	511 065	533 065
			Function	12 24	511 066 511 067	- -
			Location	12 24	511 068 511 069	533 068 533 069
			Function + Location	12	-	533 818
			Location	24	-	533 819
Mom.ON OFF Mom.ON		Single Pole Lock Out (II - 0)	Nil	12-24	511 286	533 286
			Function	12 24	511 287 511 288	- -
			Location	12 24	511 289 511 290	533 289 533 290
			Function + Location	12	-	-
			Location	24	-	-
ON OFF ON		Double Pole	Nil	12-24	511 050	533 050
			Function	12 24	511 051 511 052	- -
			Location	12 24	511 053 511 054	533 053 533 054
			Function + Location	12	-	533 822
			Location	24	-	533 823
Mom.ON OFF ON		Double Pole	Nil	12-24	511 060	533 060
			Function	12 24	511 061 511 062	- -
			Location	12 24	511 063 511 064	533 063 533 064
			Function + Location	12	-	533 824
			Location	24	-	533 825
Mom.ON OFF Mom.ON		Double Pole	Nil	12-24	511 055	533 055
			Function	12 24	511 056 511 057	- -
			Location	12 24	511 058 511 059	533 058 533 059
			Function + Location	12	-	533 826
			Location	24	-	533 827
ON OFF ON		Double Pole Special	Nil	12-24	511 070	533 070
			Function	12 24	511 071 511 072	- -
			Location	12 24	511 073 511 074	533 073 533 074
			Function + Location	12	-	533 828
			Location	24	-	533 829
Mom.ON ON Mom.ON		Double Pole Special	Nil	12-24	511 211	533 211
			Function	12 24	511 212 511 213	- -
			Location	12 24	511 214 511 215	533 214 533 215
			Function + Location	12	511 216	533 216
			Location	24	511 217	533 217



CHANGE-OVER CONTACT II - 0 - I

Action	Wiring Diagram	Notes	Illumination	Voltage	511 Series	533 Series
ON OFF ON		Single Pole	Nil	12-24	511 146	533 146
			Function	12 24	511 147 511 148	- -
			Location	12 24	511 149 511 150	533 149 533 150
			Function +	12	-	533 816
			Location	24	-	533 817
			Mom.ON ON ON		Double Pole Special	Nil
Function	12 24	511 152 511 153				- -
Location	12 24	511 154 511 155				533 154 533 155
Function +	12	-				533 820
Location	24	-				533 821

DOUBLE CHANGE-OVER II - I - 0

Action	Wiring Diagram	Notes	Illumination	Voltage	511 Series	533 Series
Refer to Comments		Single Pole Used for two speed wiper motor. Includes park circuit. 31b = Park Circuit 53 = High Speed 53a = Positive 53b = Low Speed	Nil	12-24	511 045	533 045
			Function	12 24	511 046 511 047	- -
			Location	12 24	511 048 511 049	533 048 533 049
			Function +	12	-	533 830
			Location	24	-	533 831
			Refer to Comments		Double Pole Special	Nil
Function	12 24	511 091 511 092				- -
Location	12 24	511 093 511 094				533 093 533 094
Function +	12	-				533 834
Location	24	-				533 835

DOUBLE CHANGE-OVER I - 0 - II

Action	Wiring Diagram	Notes	Illumination	Voltage	511 Series	533 Series
Refer to Comments		Double Pole Special	Nil	12-24	511 100	533 100
			Function	12 24	511 101 511 102	- -
			Location	12 24	511 103 511 104	533 103 533 104
			Function +	12	-	533 840
			Location	24	-	533 841

CHANGE-OVER / CONTACT MOMENTARY

Action	Wiring Diagram	Notes	Illumination	Voltage	511 Series	533 Series
ON ON Mom.ON		Double Pole Special 31b = Park Circuit 53 = Motor 53a = Positive P = Pump	Nil	12-24	511 112	533 112
			Function	12 24	511 113 511 114	- -
			Location	12 24	511 115 511 116	533 115 533 116
			Function +	12	-	533 832
			Location	24	-	533 833



CHANGE-OVER / CONTACT MOMENTARY cont.

Action	Wiring Diagram	Notes	Illumination	Voltage	511 Series	533 Series
OFF ON Mom.ON		Double Pole Special	Nil	12-24	-	533 117
			Function	12 24	-	533 120 533 121
			Location	12 24	-	-
			Function + Location	12 24	-	533 836 533 837

2 CONTACTS IN SERIES

Action	Wiring Diagram	Notes	Illumination	Voltage	511 Series	533 Series
OFF ON ON		Double Pole For use with Headlights	Nil	12-24	511 080	533 080
			Function	12 24	511 081 511 082	-
			Location	12 24	511 083 511 084	533 083 533 084
			Function + Location	12 24	511 209	533 209
			Location	24	511 210	533 210
OFF ON ON		Double Pole	Nil	12-24	511 075	533 075
			Function	12 24	511 076 511 077	-
			Location	12 24	511 078 511 079	533 078 533 079
			Function + Location	12 24	-	533 838
			Location	24	-	533 839

SELECTOR

Action	Wiring Diagram	Notes	Illumination	Voltage	511 Series	533 Series
Refer to Comments		Double Pole One Pole N/O One Pole N/C	Nil	12-24	511 033	533 033
			Function	12 24	511 034 511 035	-
			Location	12 24	511 036 511 037	533 036 533 037
			Function + Location	12 24	511 038	533 038
			Location	24	511 039	533 039
Refer to Comments		Double Pole Momentary One Pole N/O One Pole N/C	Nil	12-24	511 040	533 040
			Function	12 24	511 041 511 042	-
			Location	12 24	511 043 511 044	533 043 533 044
			Function + Location	12 24	-	533 810
			Location	24	-	533 811
ON ON		Double Pole	Nil	12-24	511 271	533 271
			Function	12 24	511 272 511 273	-
			Location	12 24	511 274 511 275	533 274 533 275
			Function + Location	12 24	511 276	533 276
			Location	24	511 277	533 277
ON Mom.ON		Double Pole Momentary	Nil	12-24	-	533 279
			Function	12 24	-	-
			Location	12 24	-	-
			Function + Location	12 24	-	-
			Location	24	-	-



HAZARD WARNING ONLY

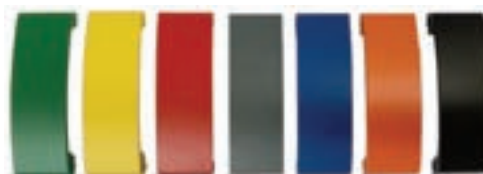
Action	Wiring Diagram	Notes	Illumination	Voltage	511 Series	533 Series
OFF ON		Single Pole Special 10A	Function	24	511 218	-
OFF Mom.ON		Single Pole Special 10A	Function	24	511 220	-
OFF ON		Single Pole Special 10A Lock Position (I)	Function	12 24	511 219-12v 511 219	- -
ON ON		Single Pole Special 10A	Function	12	511 247	-
ON ON		Double Pole Special 10A	Function	12 24	511 262 511 263	- -
Refer to Diagram		Double Pole Special Contact 6-2 & 6-8 = 10A Remainder = 5A	Function	12 24	511 190 511 191	- -
Refer to Diagram		Double Pole Special Contact 6-2 & 6-8 = 10A Remainder = 5A	Function	12 24	511 192 511 193	- -
Refer to Diagram		Double Pole Special Contact 4-2 & 6-8 = 10A Remainder = 5A	Function	12 24	511 194 511 195	- -
Refer to Diagram		Double Pole Special Lock Position (I) Contact 4-2 & 6-8 = 10A Remainder = 5A	Function	24	511 278	-



	Description	Product No.
	<p>Switch Frame Middle Section Suit 511 or 533 series switch Panel Cut-out 28x48mm</p>	<p>594 801</p>
	<p>Switch Frame End Section Suit 511 or 533 series switch Panel Cut-out 28x48mm</p>	<p>594 802</p>
	<p>Blanking Plate</p>	<p>596 273</p>
	<p>3 Switch Frame Suit 511 or 533 Series Switch 77x48mm</p>	<p>595 502</p>
	<p>6 Switch Frame Suit 511 or 533 Series Switch 156x48mm</p>	<p>595 902</p>
	<p>511 Series Socket Housing</p>	<p>596 289</p>
	<p>511 Series Globe Holder Connector Housing</p>	<p>913 328</p>



	Description	Product No.
	<p>511 Series Globe Holder 12v Globe + holder 24v Globe + holder</p>	<p>596 956 596 710</p>
	<p>LED Wedge Globe suit 511 Switch</p>	<p>E-596FWLED-1</p>
	<p>533 Series Socket Housing</p>	<p>589 790</p>
	<p>533 Series Switch Female Terminal</p>	<p>E-9927KK</p>
	<p>511 Series Warning Light 2 Lamps 12v 24v</p>	<p>511 502 511 503</p>
	<p>533 Series Warning Light 1 Green Lamp 12v 24v</p>	<p>533 500 533 501</p>
	<p>533 Series Warning Light 2 Green Lamps 12v 24v</p>	<p>533 502 533 503</p>



511 SWITCH INSERTS

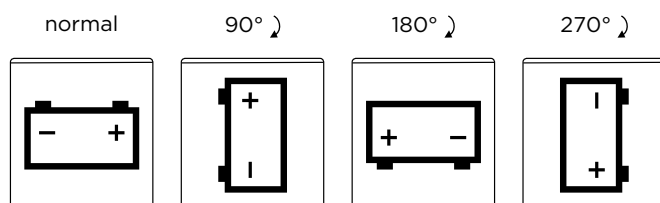
Custom engraving for symbols or text also available

533 SWITCH INSERTS

Custom engraving available

Symbol	Description	Colour	Mounting				Order No.
			normal	90° ↷	180° ↷	270° ↷	
-		Green					596 650
		Yellow					596 610
		Red					596 615
		Orange					596 230
		Blue					595 620
		Black					596 620

Symbol	Description	Colour	Mounting				Order No.
			normal	90° ↷	180° ↷	270° ↷	
-		Green					588 286
		Yellow					587 187
		Red					588 400
		Grey					588 401
		Blue					588 402
		Orange					587 186
		Black					587 456





Symbol	Description	Colour	Mounting				Order No.		
			normal	90° ↘	180° ↕	270° ↙			
Wipe-Wash									
	Windscreen wiper	Green	X				596 625		
				X			594 719		
					X		596 416		
						X	595 116		
		Black	X				596 611		
				X			596 401		
		Black/White		F			592 693		
			F				591 343		
			O				591 648		
	Windscreen wiper/washer	Green	X				596 603		
					X		596 415		
						X	595 117		
		Yellow/White	X				595 107		
		Black		X			592 787		
			X				596 801		
		Black/White			X		594 763		
	Windscreen washer	Green	X				596 627		
				X			594 720		
					X		594 701		
						X	595 118		
		Yellow/White	X				595 109		
		Black	X				594 706		
					X		594 703		
		Black/White		F			592 692		
			Intermittent wiper	Green	X				596 394
						X			594 718
					X		596 409		
	Rear window wiper	Green	X				596 307		
				X			594 400		
					X		596 136		
						X	593 306		
	Rear window washer	Green	X				596 305		
	Rear window wiper/washer	Black/White			F		592 776		
			F				591 630		
		Green	X			594 769			
		Orange			X	593 063			
		White	X			592 704			

Symbol	Description	Colour	Mounting				Order No.
			normal	90° ↘	180° ↕	270° ↙	
	Rear window interval wiping	Green		X			596 109
	Headlamp wiper/washer	Green	X				596 647
					X		596 408
	Headlamp washer	Green	X				595 112
		Black/White	F				593 603

Lighting							
	Lamp	Green	X				596 648
				X			593 304
					X		596 400
						X	594 782
	High beam	Black	X				596 619
		Blue		X		595 169	
		Green	X			595 195	
	Dipped beam	Green	F				592 305
			X				596 303
	Masked headlamp	Green			X		592 480
						X	593 303
	Side marker lamps	Green	X				596 655
				X			596 654
					X		591 879
	Side marker lamps	Green			X		596 336
			X				595 105
			Yellow/White	X			594 493
	Position lamp	Green	F				592 695
			Black/White				
	Position lamp	Green	X				596 424
		Blue	X				594 484



Symbol	Description	Colour	Mounting				Order No.
			normal	90° ↘	180° ↕	270° ↙	
Lighting							
☹	Fog lamp	Black/White	O				593 611
					O		592 685
☹	Fog lamp	Green	X				596 649
				X			595 181
					X		596 414
						X	594 799
☹	Fog lamp	Green	X				595 433
☹	Fog warning lamp	Green	X				596 626
					X		596 417
		Yellow/White	X				596 609
				X			596 180
					X		596 404
						X	594 798
☹	Fog warning lamp	Black/White	O				593 612
		Yellow/White	X				596 146
☹	Fog warning lamp	Black/White			X		591 664
		Yellow/White	X				596 146
☹	Service lamp	Yellow/White			X		593 631
☹	General service lamp	Green	X				596 473
					X		596 134
				X			594 401
☹	Rear general service lamp	Green	X				596 472
		Red	X				595 106
		Black	X				596 600
☹	Work lamp	Black	X				596 312
					X		596 192
					F		592 772
		Black/White	O				591 669
				O			591 667
		Green	X				596 313
				X			594 738
		Yellow/White	X				595 402
				X			591 978
		Yellow/Black	X				594 474
Orange	X				596 151		
			X		594 433		
				X	593 070		

Symbol	Description	Colour	Mounting				Order No.	
			normal	90° ↘	180° ↕	270° ↙		
Lighting								
☹	Work lamp	Black/White	O				591 668	
					O		591 666	
						O	592 686	
		Black			X			595 426
			Green	X				594 767
		Green			X			594 768
						X		594 428
		Yellow/White	X					595 401
					X			594 714
		Yellow/Black	X					594 475
Orange	X					596 137		
				X		594 705		
☹	Service lamp Up-Down	Yellow/White			X		592 896	
☹	General service lamp adjustable	Green	X				594 708	
		Orange			X		592 889	
☹	Loading floor lamp	Black/White	O				592 054	
					O		592 638	
		Green	X				596 629	
					X		594 721	
					X		594 779	
						X	594 749	
Yellow/White	X				595 847			
			X		594 746			
☹	Cargo compartment lighting	Yellow/White	X				594 485	
		Orange	X				592 870	
☹	Line indicator	Green	X				595 143	
					X		593 315	
						X	593 629	



Symbol	Description	Colour	Mounting				Order No.
			normal	90° ↘	180° ↘	270° ↘	
Lighting							
	Main light	Green	X				596 651
				X			595 182
					X		595 102
						X	594 800
		Black	X				596 621
				X			595 418
			F				593 613
		Black/White		F			592 694
			O				591 640
						O	591 638
	Interior light	Green	X				596 641
				X			593 305
					X		593 678
		Black	X				596 175
Black/White	O					593 610	
	Interior light: medium	Green	X				596 640
				X		596 799	
Interior light: dim	Green	X				596 639	
		Black/White	O				593 609
	Instrument lighting	Green	X				596 636
				X			592 860
					X		596 418
				X		594 751	
	Instrument lighting	Green	X				595 439
	Instrument lighting	Green	X				595 100
	Driving seat lighting	Green	X				596 637
						X	593 311
	Reading light	Green	X				596 638
	Trunk light	Green	X				595 965
	Parking light	Green	X				596 145
					X		594 717

Symbol	Description	Colour	Mounting				Order No.
			normal	90° ↘	180° ↘	270° ↘	
Lighting							
	Rotary beacon	Black/White	O				591 662
						O	591 660
						F	592 771
		Green	X				596 628
				X			595 188
					X		596 406
		Yellow/White	X				596 426
					X		594 715
		Yellow/Black	X				594 480
					X		592 916
Orange			X		593 067		
		X			592 373		
	Rotary beacon	Yellow/Black	X				592 348
		Orange	X				595 113
		Green	X				592 876
		Black/White			F		591 341
	Light reduction	White	X				594 416
	Lamp test	Green	X				596 123
						X	594 781
	Lamp test	Green	X				596 110
	Tester	Green	X				596 184
						X	593 308
	Hazard warning	Red	X				596 191
				X			594 739
					X		595 417
					X	594 408	
		Orange	X				596 170
Black/White	F				592 178		
	Hazard warning	Red	X				596 614
				X			595 191



Symbol	Description	Colour	Mounting				Order No.
			normal	90° ↘	180° ↕	270° ↙	
Heating & Ventilation							
	Fresh air	Green		X			592 594
			X				596 630
	Air cleaner	Red	X				594 423
		Yellow/White	X				596 140
				X			
	Blower	Green	X				596 195
		Black/White	F				591 634
	Fan	Green	X				594 700
		Black	X				594 702
	Blower slow	Green	X				596 604
		Black			X		596 388
		Yellow/Black	X				594 486
	Blower fast	Green	X				596 642
		Yellow/White	X				595 108
		Black	X				596 612
	Speed adjustment fan	Green	X				595 127
	Speed adjustment fan	Green	X				594 458
	Fan speed	Green			X		593 279
						X	592 898
	-	Green	X				594 466
	Ventilator motor	Green	X				595 138
	Duct	Green	X				595 139
	Fan (ceiling)	Green	X				595 140
		Yellow/White	O				

Symbol	Description	Colour	Mounting				Order No.
			normal	90° ↘	180° ↕	270° ↙	
Heating & Ventilation							
	Roof ventilator	Green	X				593 633
	-	Green	X				594 438
	Cooling	Green	X				596 101
		Black	X				595 159
	Seat heating	Green	X				595 437
		Yellow/White	X				596 139
		Black/White	O				592 370
	Seat heating	Green	X				595 135
	Windscreen. Heating and ventilation	Yellow/White	X				594 465
		Green	X				592 022
	Rear window defroster	Green	X				596 390
		Red	X				596 172
		Yellow/White	X		X		593 307
						X	596 190
	Rear window heating	Green	X				594 462
		Yellow/White	X				594 496
		Black/White	F				591 626
	Exterior mirror defroster	Green	X				595 440
		Yellow/White			X		594 451
		Yellow/Black	X				595 149
		Black/White	X				594 455
			O				593 608
					O		592 684
	Exterior mirror defroster		X				596 645
		Green		X			596 646
					X		594 795
					X		596 411
	Exterior mirror defroster	Green	X				595 137



Symbol	Description	Colour	Mounting				Order No.
			normal	90° ↷	180° ↷	270° ↷	
Drives							
	Longitudinal differential lock	Red	X				591 691
		Green	X				596 471
		Yellow/White	X				591 733
		Black	X				596 606
	Differential lock, longitudinal	Green	X				596 219
		Yellow/Black		X			596 167
		Green		X			596 791
	Differential lock, transversal	Yellow/Black		X			596 166
		Green	X				594 483
	Differential lock front	Green		X			596 803
		Yellow/White	X				593 310
		Red		X			596 165
		Red	X				594 410
	Rear differential lock	Black	X				596 378
		Green	X				596 220
		Yellow/White		X			592 593
		Red		X			596 164
		Red	X				594 409
	Differential lock	Red	X				592 521
		Green	X				596 623
		Red	X				594 777
		Yellow/White	X				594 794
	Differential lock	Black/White	0				592 369
		Yellow/White	X				596 116
	Differential lock	Yellow/Black	X				594 473
		Orange	X				596 159
	Pneumatic suspension	Yellow/White		X			593 444
		Black/White		F			591 515

Symbol	Description	Colour	Mounting				Order No.
			normal	90° ↷	180° ↷	270° ↷	
Drives							
	-	Red	X				592 601
	Level control	Red	X				595 430
	Level control	Green	X				593 412
	Centre of gravity	Yellow/White	X				593 421
		Red		X			592 899
	Level control	Green		X			592 904
		Normal level	Green	X			594 407
	Level control	Yellow/White	X				593 624
		Yellow/White	X				595 161
		Red	X				594 778
	Raise	Green	X				595 423
	Lower	Green	X				595 422
	-	Green	X				594 431
		Green	X				594 432
	Raise - Lower	Yellow/White	X				592 518
		Green	X				594 405
		Orange	X				592 901
	Raise - Lower	Black/White	0				591 658
		Slope compensation	Green	X			
	Steep slope	Green		X			592 902



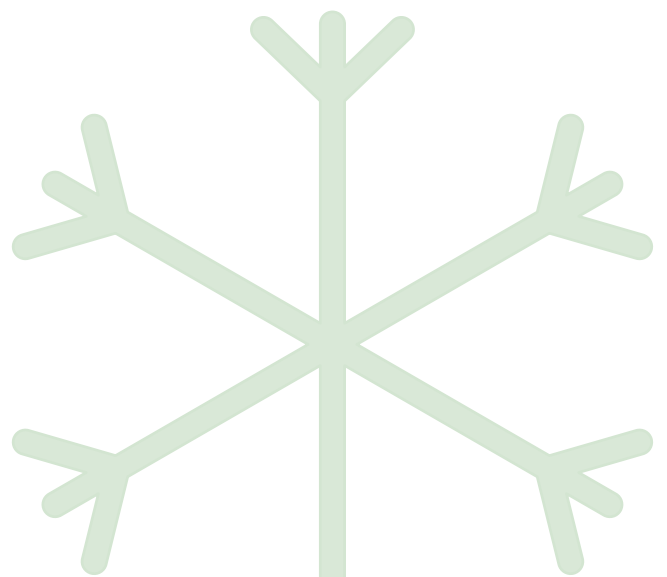
Symbol	Description	Colour	Mounting				Order No.
			normal	90° ↘	180° ↕	270° ↙	
Miscellaneous							
	Lubrication, oil	Green	X				596 652
		Red	X				596 171
				X			
	Yellow/White	X				595 110	
	-	White	X				594 437
	Air horn	Green	X				596 643*
	Horn	Green	X				596 196
		Black	X				596 176
			O				
	Horn, backwards	Yellow/White	X				595 400
		Yellow/Black	X				594 478
		Black/White	O				
F						591 628	
	Bell	Green	X				595 134
						X	593 314
		Red	X				
	Stop request	Green	X				594 430
		Black/White	O				
	Direction indicator	Green	X				594 460
				X			
	Direction indicator	Yellow/White	X				594 497
		Green	X				
	Direction indicator			X			592 368
		Yellow/White	X				
	Direction indicator	Green	X				595 200
		Dark green	X				
	-	Green	X				593 345
	1st trailer	Green	X				595 441
					X		
		Dark green	X				
	1st trailer			X			594 791
		Green	X				
	2nd trailer	Dark green	X				594 649
					X		

Symbol	Description	Colour	Mounting				Order No.	
			normal	90° ↘	180° ↕	270° ↙		
Miscellaneous								
	Hostess call	Green	X				596 635	
	Perambulator	Blue	X				595 115	
	-	Orange	X				595 431	
	-	Black	X				594 415	
		Orange	X					594 762
	Double command	Green	X				596 108	
	School bus	Yellow/White	O				595 144	
	Door opener	Green	X				595 967	
		Black	X					596 178
		Red	X					596 152
	Door opener, door 1	Green	X				595 851	
		Red	X					594 445
	Door opener, door 2	Green	X				595 852	
		Red	X					594 444
	Door opener	Green	X				596 194	
	Window lifter	Green	X				596 122	
		Yellow/White	F					593 604
						F		
	Exterior mirror	Green	X				595 136	
		Yellow/White				F		591 809
	Lifting roof	Green	X				596 634	
	Radio	Green	X				595 153	
		Yellow/White	X					594 448
	Radio/music	Green	X				596 186	



Symbol	Description	Colour	Mounting				Order No.
			normal	90° ↘	180° ↘	270° ↘	
Miscellaneous							
	Camera	Green	X				595 421
	Monitor	Green	X				594 442
	TV	Green	X				594 441
	Control lever	Green	X				596 653
	Gear selector 1	Green	X				593 413
	Gear selector	Yellow/White	X				593 414
	Stabilisation centre	Green	X				596 197


Symbol	Description	Colour	Mounting				Order No.
			normal	90° ↘	180° ↘	270° ↘	
Miscellaneous							
	Tipped to right	Yellow/White	X				593 420
	Tipped to left	Yellow/White	X				593 419
	Support, right-hand	Green	X				596 156
					X		594 710
						X	593 050
	Lock support left	Green	X				592 851
	Support, left-hand	Black	X				593 626
			X				596 157
		Green			X		594 755
						X	593 051




SWF



SWF

GREEN INSERTS

DRIVERS LIGHT	596 043V	CRTESY O/RIDE	596 024V	SALOON HEATERS	596 047V	W/CHAIR RAMP	596 090V
STEP LIGHTS	596 014V	F/DOOR CLOSE	596 050V	SINGLE LEAF	596 042V	SHU ROO	596 094V
DRIVING LIGHTS	596 015V	O/S BLIND	596 036V	NEXT STOP	596 041V	TICKET MACHINE	595 992G
BIN PRESS	596 016V	N/S BLIND	596 035V	BOOST FAN	596 048V		
TOILET VENT	596 017V	DESTO ILLUM	596 034V	No.1 SALOON	596 063V		
F/DOOR CLOSED	596 045V	READING LIGHTS	596 028V	REAR CLOSED	596 062V		
TOILET ENGAGED	596 018V	DOORS OK	596 038V	N/STOP RESET	596 068V		
SALOON LIGHT	596 039V	DRIVERS FAN	596 007V	SCHOOL LIGHTS	596 067V		
RACK LIGHTS	596 019V	DOOR 1	596 008V	TICKET LIGHT	596 070V		
AISLE LIGHTS	596 020V	DOOR 2	596 009V	LED/SAL LIGHTS	596 071V		
MIRROR HEATER	596 046V	DOOR 3	596 049V	DEMIST HEAT	596 072V		
VIDEO DVD	596 021V	GONG RESET	596 051V	BIN LOCKED	596 074V		
SPECIAL P/SOCK	596 022V	DEMIST	596 010V	CENTRAL LOCKING	596 075V		
S/ALARM RESET	596 023V	SALOON LIGHTS	596 040V	DOOR UNLOCK	596 087V		
W/SCRN BOOST	596 084V	DOOR LIGHT	596 083V		595 137		
DRIVER BOOST	596 085V	DRIVERS BLIND	596 089V	P.A.	596 043V		



RED INSERTS	
BIN OPEN 596 037V	DOOR OPEN 596 086V
F/DOOR TRAP 596 025V	URN-LOW WATER 596 076V
TOILET EMERG 596 026V	DOOR LOCKED 596 088V
W/CHAIR DOOR 596 027V	DOOR BRAKE 596 091V
F/DOOR RESET 596 002V	 596 052V
SMOKE ALARM 596 030V	
W/CHAIR CRTESY 596 031V	
HAMMER REMOVED 596 003V	
F/DOOR OPEN 596 029V	
BATTERY SAVER 596 004V	
DOOR ALARM 596 011V	
MUX FAULT 596 012V	
FRONT DOOR 596 060V	
REAR DOOR 596 061V	
REAR OPEN 596 058V	
FRONT OPEN 596 059V	

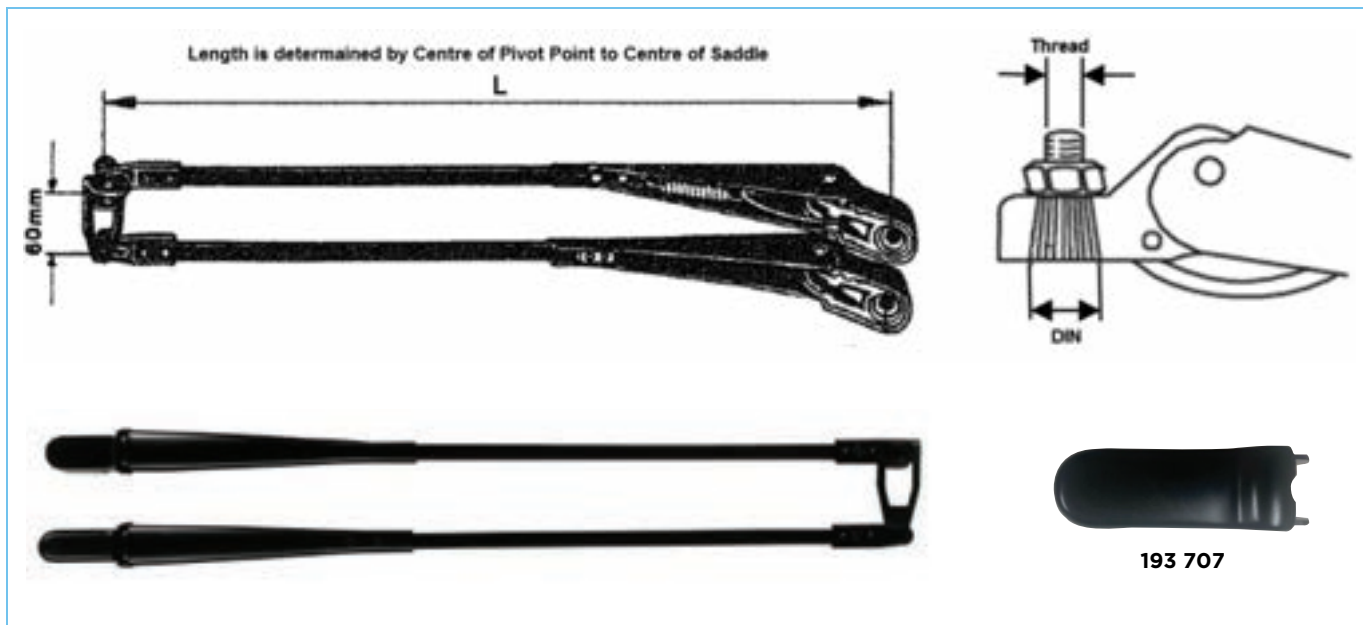
AMBER INSERTS	
F/DOOR RESET 596 032V	H/LAMP FAULT 596 098V
SCHOOL LIGHTS 596 013V	DOOR O-RIDE 596 082V
RAMP REQUEST 596 005V	EMERG O-RIDE 595 989
MASTER SWITCH 596 006V	
NEXT STOP 596 065V	
 595 9990X	
 591 322Y	
MIRROR HEATER 596 078V	
DOOR OPEN 596 066V	

BLUE INSERTS	
DRIVING LIGHTS 596 044V	

ORANGE INSERTS	
DOOR O-RIDE 596 096V	



SWF Pantograph Wiper Arms



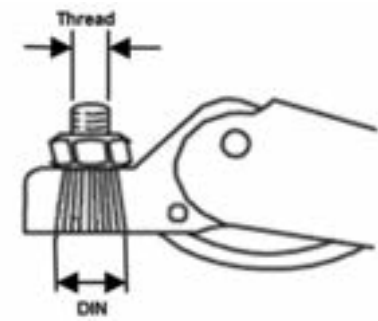
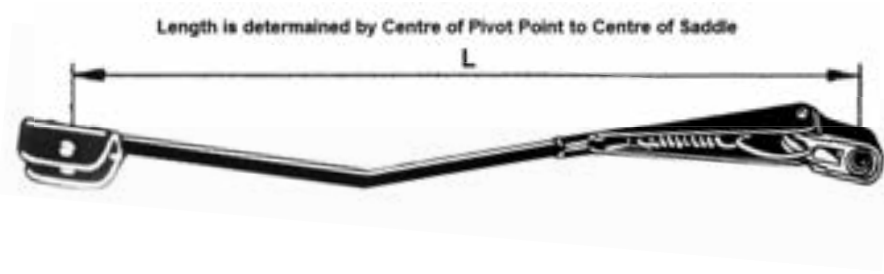
LENGTH	DIN	THREAD	BLADE SADDLE	PART NUMBER	REPLACEMENT PIVOT COVERS
680mm	12mm	M8	16.2mm	104 168	193 707
700mm	12mm	M8	16.2mm	103 980	193 707
750mm	12mm	M8	16.2mm	104 580	193 707
800mm	12mm	M8	16.2mm	108 362	193 707



LENGTH	DIN	THREAD	BLADE SADDLE	PART NUMBER	REPLACEMENT PIVOT COVERS
710mm	16mm	M10	25.5mm	106 080	191 299
795mm	16mm	M10	25.5mm	107 515	191 299
805mm	16mm	M10	16.2mm	106 572	191 299
870mm	16mm	M10	25.5mm	106 671	194 223



SWF Single Wiper Arms



LENGTH	DIN	THREAD	BLADE SADDLE	PART NUMBER	REPLACEMENT PIVOT COVERS
734mm	16mm	M12	25.5mm	106 918	189 972
746mm	16mm	M12	25.5mm	106 917	189 972



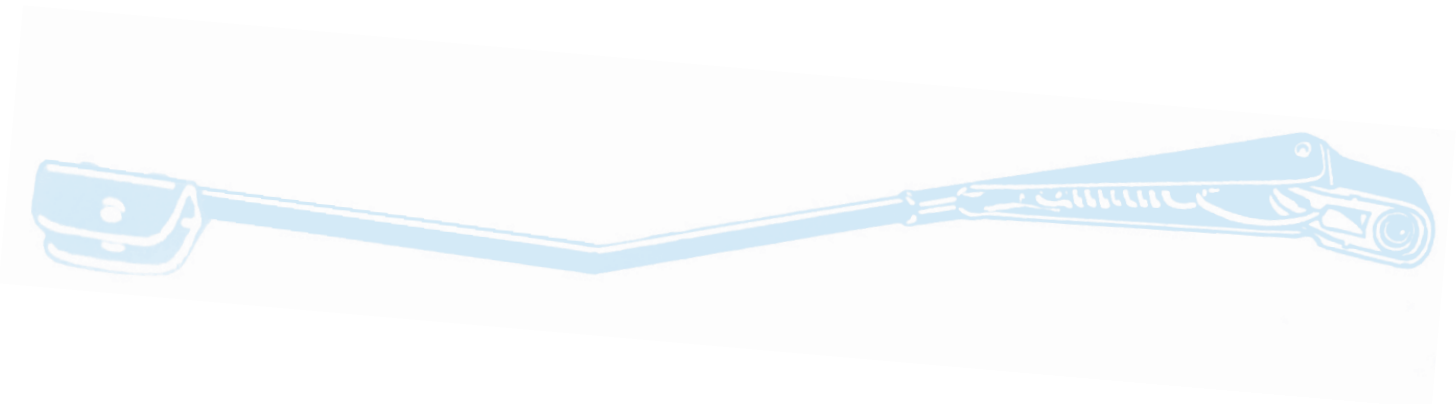
LENGTH	DIN	THREAD	BLADE SADDLE	PART NUMBER	REPLACEMENT PIVOT COVERS
700mm	16mm	M10	16.2mm	104 710	194 223
700mm	16mm	M10	16.2mm	104 711	194 223



Wiper Blades & Refills

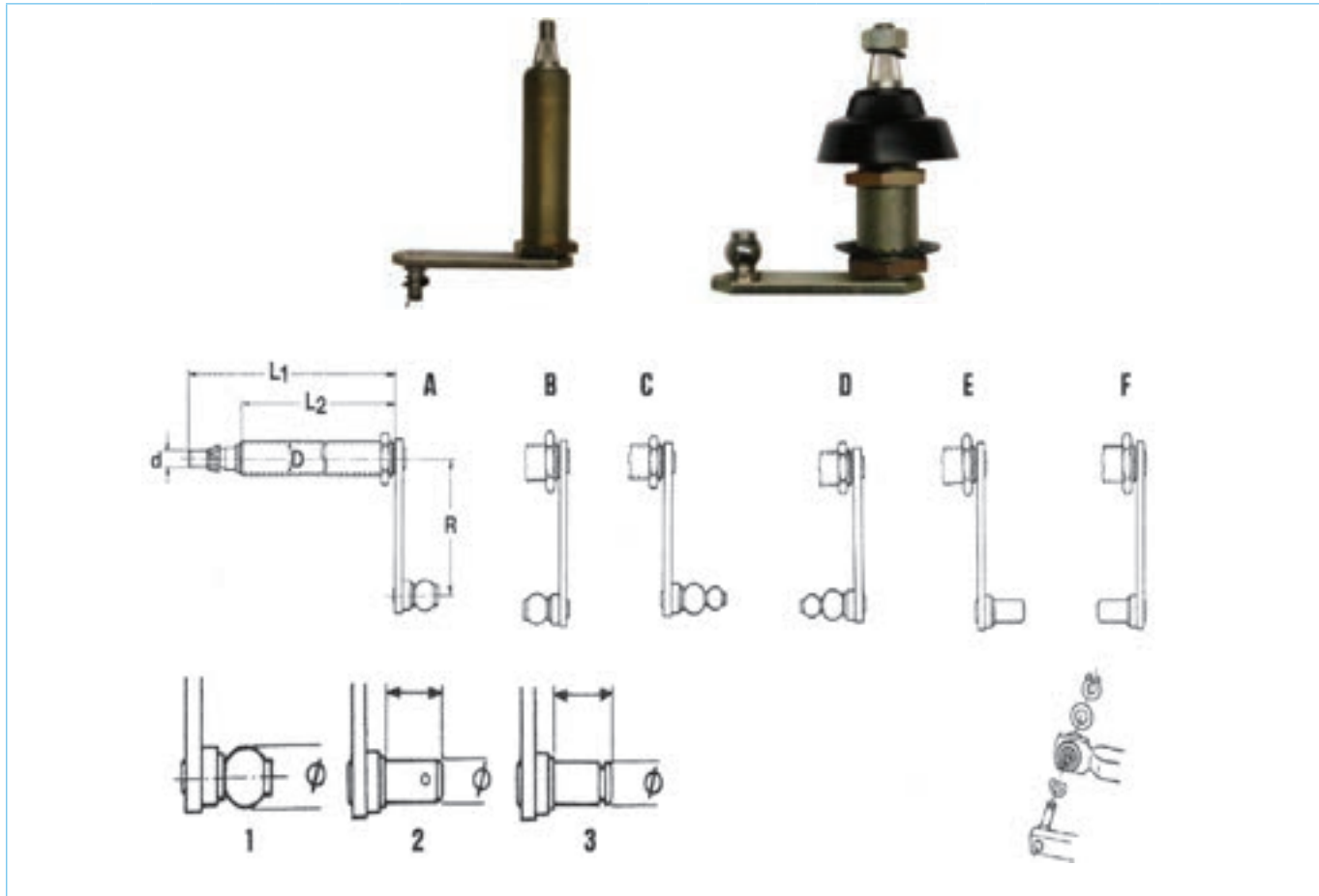


500mm Wiper Blade	132 500	Refill	115 750
550mm Wiper Blade	116 191	Refill	115 709
600mm Wiper Blade	132 600	Refill	115 753
650mm Wiper Blade	132 650	Refill	115 755
700mm Wiper Blade suit 16.2mm Blade Saddle	108 428	Refill	115 755
800mm Wiper Blade suit 16.2mm Blade Saddle	104 579	Refill	115 756
900mm Wiper Blade	132 900	Refill	115 757
1000mm Wiper Blade Suit 25.2mm Blade Saddle	106 278	Refill	115 757





SWF Single Wiper Pivot



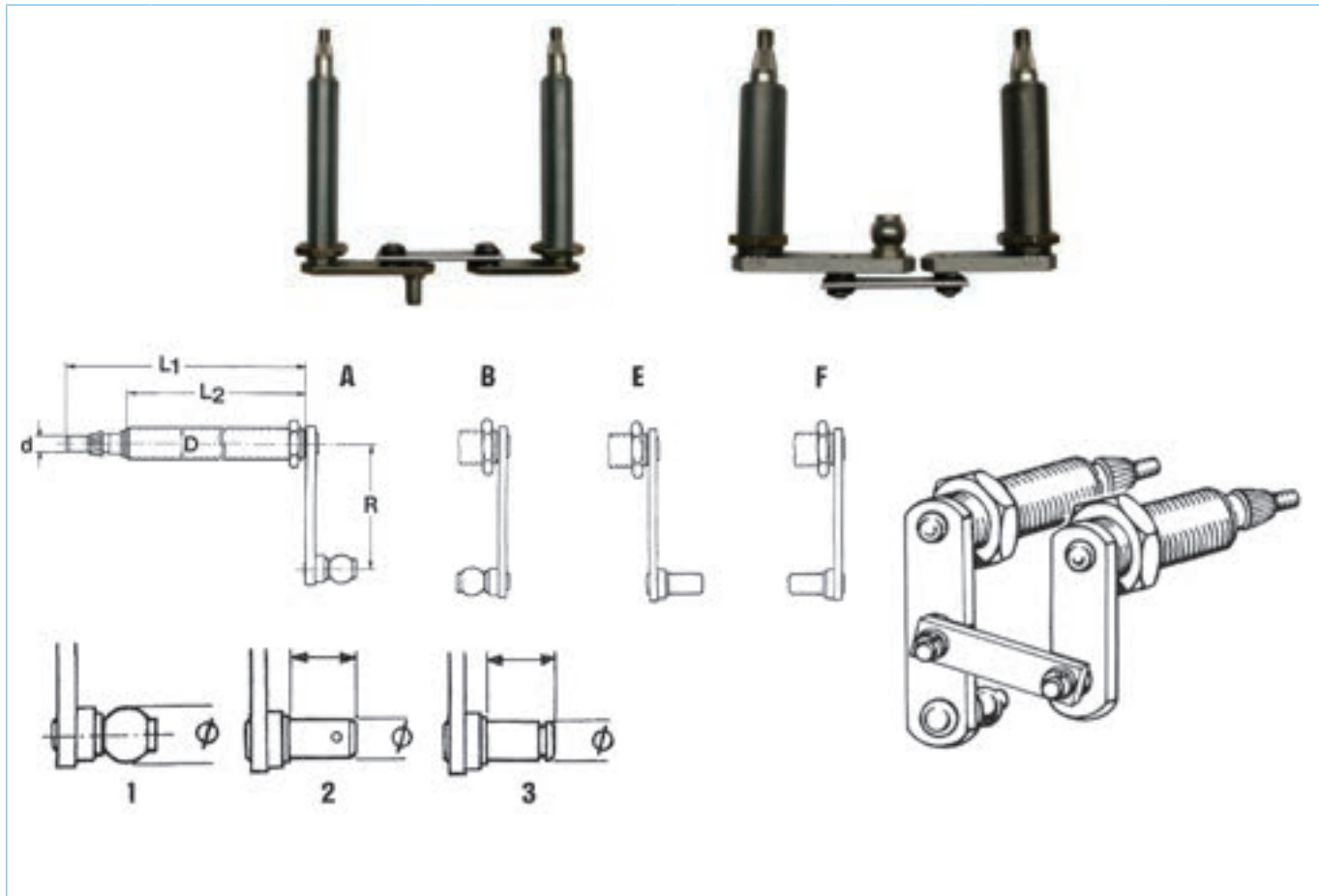
R (must be centre to centre)	L1	L2	D	d	Pin/pivot placement	Pin/ball type	Pin/Ball size	Part Number
72.5mm	145mm	102mm	26mm	10mm	E	2	10x17.2mm	104 364
83mm	111mm	75mm	26mm	12mm	F	3	15x17mm	106 908
83mm	111.5mm	81.2mm	26mm	10mm	F	3	12x19.6mm	104 597
86.5mm	111mm	75mm	26mm	12mm	F	3	15X17mm	106 909

**A wide variety of brands and pivot types are available.
If a part number is not listed, use the below table to make notes and call us to discuss your requirements.**

R (must be centre to centre)	L1	L2	D	d	Pin/pivot placement	Pin/ball type	Pin/Ball size	Part Number



SWF Tandem Wiper Pivot



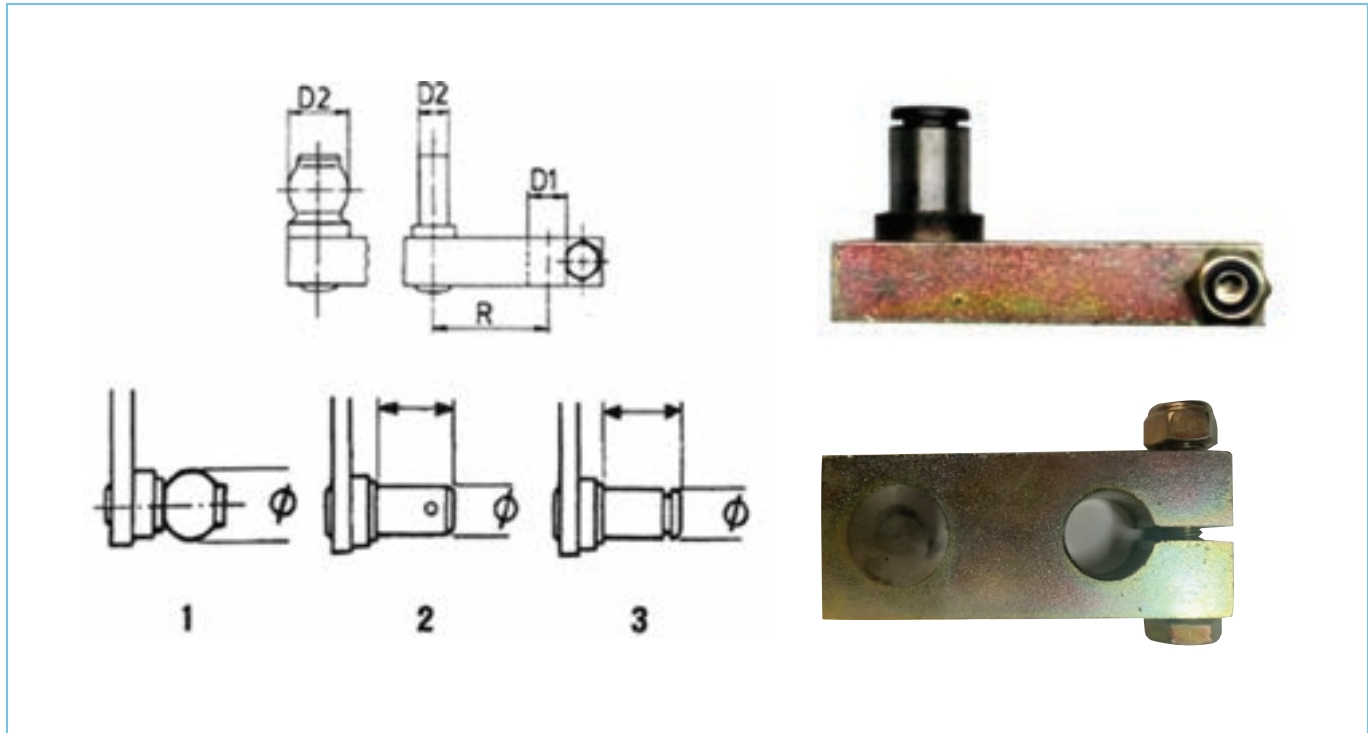
R (must be centre to centre)	L1	L2	D	d	Pin/pivot placement	Pin/ball type	Pin/Ball size	Part Number
58.5mm	148.6mm	117mm	20mm	8mm	E	2	10x17.2mm	104 702
71.3mm	126mm	84.5mm	26mm	10mm	B	1	16mm	107 313
71.3mm	129mm	87mm	26mm	10mm	F	3	15x19mm	106 667
72.5mm	126mm	92mm	26mm	10mm	B	1	20mm	105 439

**A wide variety of brands and pivot types are available.
If a part number is not listed, use the below table to make notes and call us to discuss your requirements.**

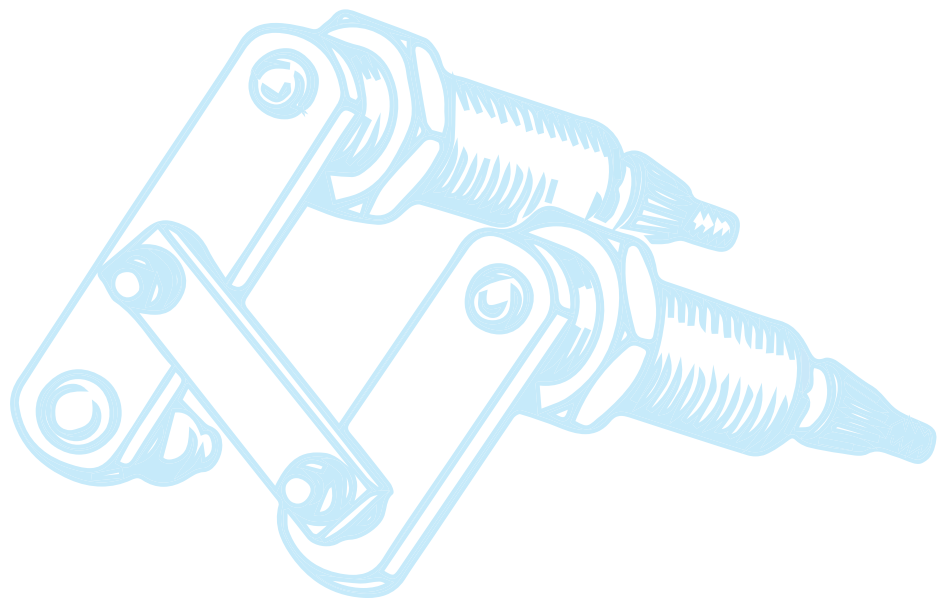
R (must be centre to centre)	L1	L2	D	d	Pin/pivot placement	Pin/ball type	Pin/Ball size	Part Number



SWF Single Wiper Crank

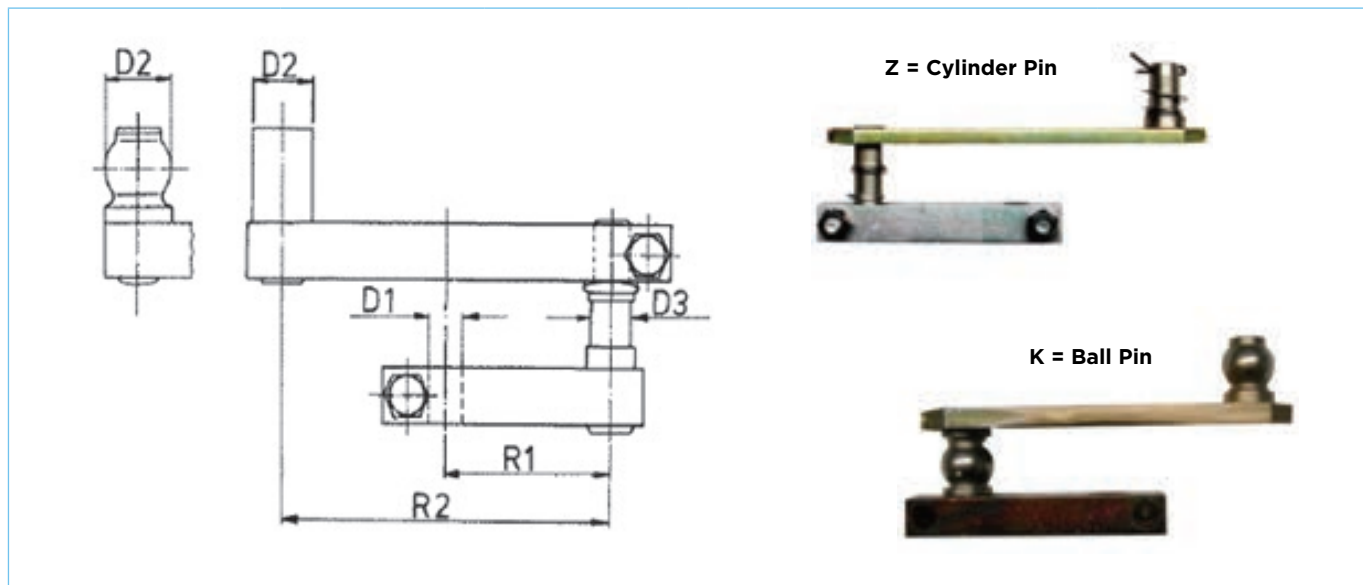


D1 (Motor Shaft Size)	D2	R	Pin/Ball type	Part Number
14mm	12mm	57.5mm	3	104 293
16mm	15mm	37.6mm	3	106 670
16mm	15mm	57.5mm	3	106 911





SWF Double Wiper Cranks

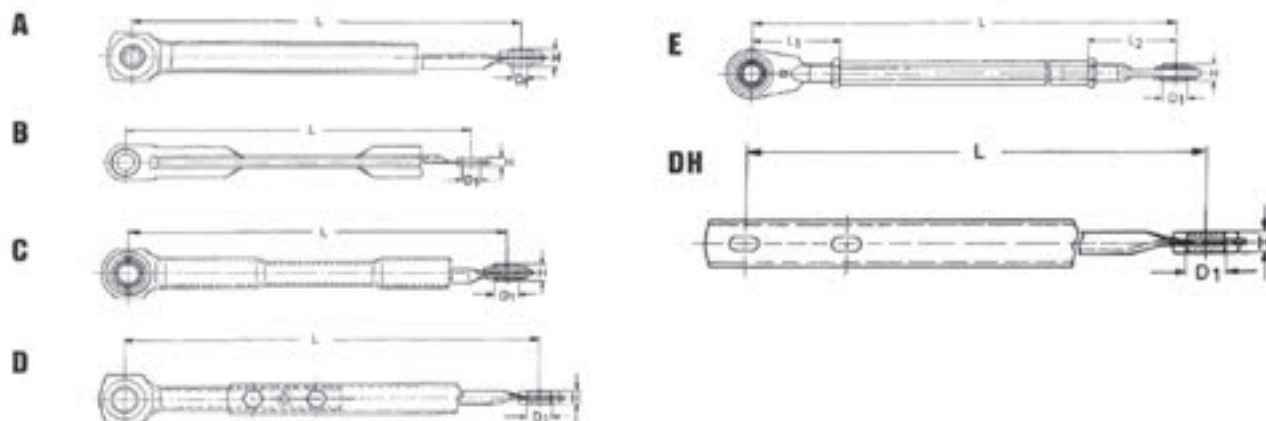


D1 (Motor Shaft Size)	D2	D3	R1	R2	Part Number
10mm	Z 10mm	Z 10mm	40mm	79.3mm	103 645
10mm	Z 10mm	Z 10mm	48.5mm	97mm	104 040
14mm	K 16mm	K 16mm	48.5mm	97mm	106 711
14mm	K 20mm	K 20mm	43mm	86mm	106 570

We have a wide variety of different brands and types of Cranks to suit your needs, please call to discuss.



SWF Linkages



SWF Linkages available in various different styles and lengths. Please call to discuss your requirements.

Wiper Arms & Blades



LENGTH	DIN	THREAD	BLADE SADDLE	PART NUMBER
850mm	12mm	M8	22mm	W-TK6800-85
800mm	16mm	M10	22mm	W-TK681-80
850mm	16mm	M10	22mm	W-TK681-85
900mm	16mm	M10	22mm	W-TK681-90
800mm	16mm	M12	22mm	W-TK6801-80
850mm	16mm	M12	22mm	W-TK6801-85
900mm	16mm	M12	22mm	W-TK6801-90

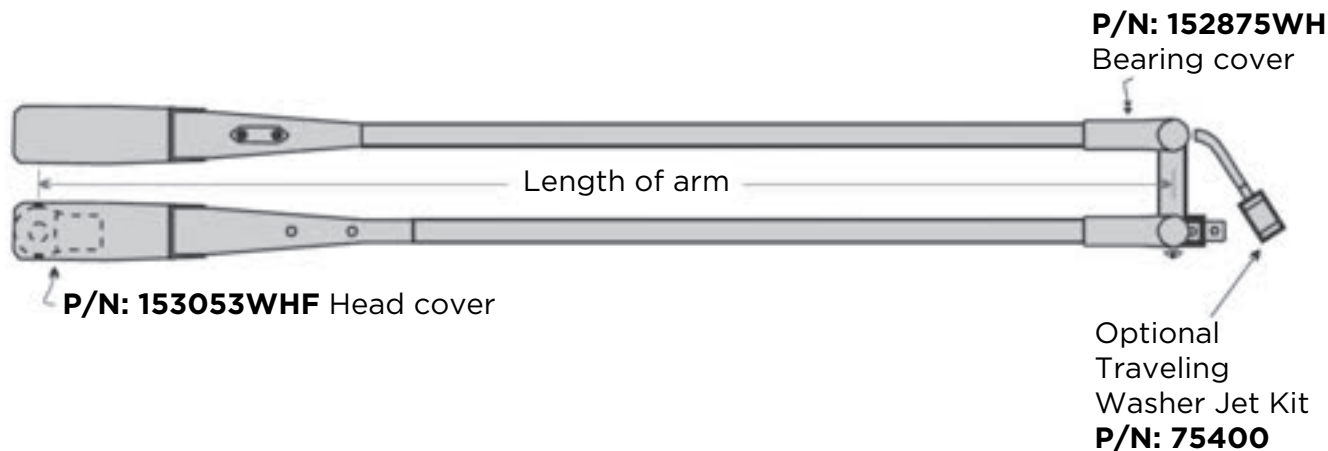


LENGTH	DIN	THREAD	BLADE SADDLE	PART NUMBER
750mm	16mm	10mm	22mm	LH W-TK080NS RH W-TK080OS



SUIT 22mm BLADE SADDLE	
1000mm	W-TK1000
900mm	W-TK900
800mm	W-TK800

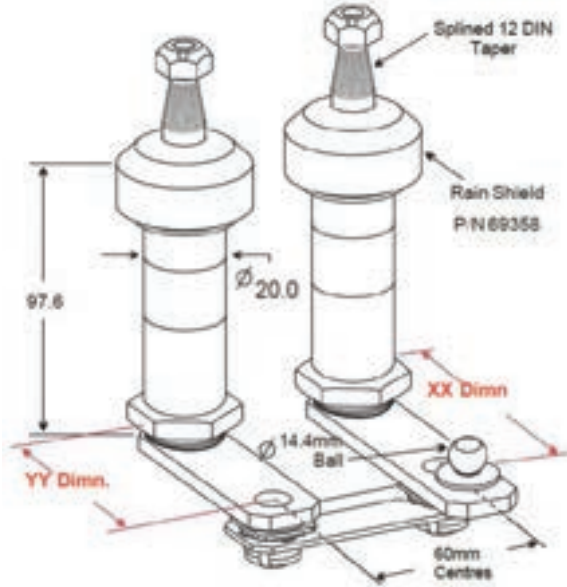
TPA680 'Colt & Brumby' Series - DIN Tapered Head



Part Number	Arm Lengths	Main Arm suits DIN tapered shaft	Slave / Idler Arm suits tapered shaft	Arm centres	Blade saddle
TPA6800-66	66cm	12 DIN	12 DIN	60mm	22mm
TPA6800-85	85cm	12 DIN	12 DIN	60mm	22mm
TPA6801-66	66cm	12 DIN	12 DIN	60mm	14mm
TPA6801-71	71cm	12 DIN	12 DIN	60mm	14mm
TPA6810-71	71cm	12 DIN	12 DIN	60mm	22mm
TPA6810-85	85cm	16 DIN	16 DIN	60mm	22mm

We also stock a wide range of SWF and Trico single arms. Please don't hesitate to give us a call to discuss your needs.

'Colt' Double Pivot 'Inboard' Ball



Part Number 75353-XX-YY

Available Dimensions

- 75353-60-80
- 75353-60-89.6
- 75353-60-95.6
- 75353-60-102.8

'Colt' Linkage & Motor Crank Assembly (Suits 75325 - 24V Motor)



Part Number 75366-XX

Lengths Available: 500mm, 525mm, 550mm, 565mm, 635mm



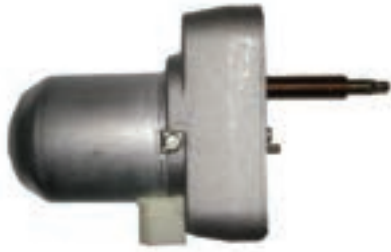
PAIR TWIN METAL REFILL 1M - SUIT TRICO TX SERIES BLADES

W-TK6034



10 PACK 1M TRICO WIPER PLASTIC BACK REFILLS

W-TRP1000-10



12V 85° Compact Motor

403 051



12V 85° Compact Motor

403 262



24V 95° Compact Unit

107 864



24V 10mm OE Motor

403 360



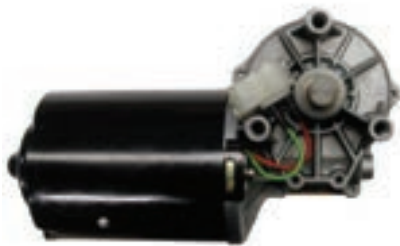
24V 80Nm 14mm Motor

401 821



24V 50Nm 10mm Motor

403 873



24V 55Nm 14mm Motor

403 195



24V 120Nm 16mm Motor

Without Plate 403 155
With Plate 403 255



24V 13mm Shaft

404 067



Trico HD 12mm Shaft

W-75325



14mm Shaft 150w

Fine Spline- W-TC150
Coarse Spline W-ZD2733A



16mm Shaft 180W

Fine- W-TK16180WFS
Coarse-W-TK16180CS



Washer Bottle 3.5L
102 488 (255 x 150)



Washer Bottle 7L
104 320 (330 x 200)



Washer Bottle 3.5L with 24V with pump in lid
103 645 (134 x 136)



Washer Bottle 12V
108 715 (220 x 160)



Washer Kit 24V
105 070

- Includes:
- 102 488 Washer Bottle and 103 766 24v pump
 - 104 805 - Jets x 2
 - 192 518 - Elbow Connector x2
 - 199 855 - T-Piece x 1
 - 192 584 - hose clips x10
 - 4.5m of 902 916 - PVC Hose
 - 2m of 741 511 - Rubber Hose



Washer Bottle 1.5L 24V with pump in lid
103 764 (134 x 136)



Washer Pump (In Lid)
103 766 - 24V
103 283 - 12V



Washer Pump 12/24V
401 973 - 12V
404 113 - 24V



VDO Washer Pump
W-1585878



HD Washer Pump
500 641 - 24V
500 440 - 12V



Washer Pump 24V 15mm
W-TCWP15 - 24V



Washer Pump 24V

W-TCWP-24V



TRICO Washer Pump 24V

W-80826



Trico Travelling Washer Jet

W-75400



Y Connector

189 970



Elbow Connector

192 518



Long Elbow Connector

W-189 382



Inline Connector

193 792



T-Piece

199 855



One Way T-Piece

104 385



One Way Valve

103 501



16DIN Pivot Cover

908 026



Rubber Pivot Cover

908 028



Washer Jet
W-TKJET881



Twin Outlet Washer Jet
LH - W-TKWJ01
RH - W-TKWJ02



Washer Jet
104 805



Washer Jet
104 725



Washer Jet
189 975



Hose Clip
192 584



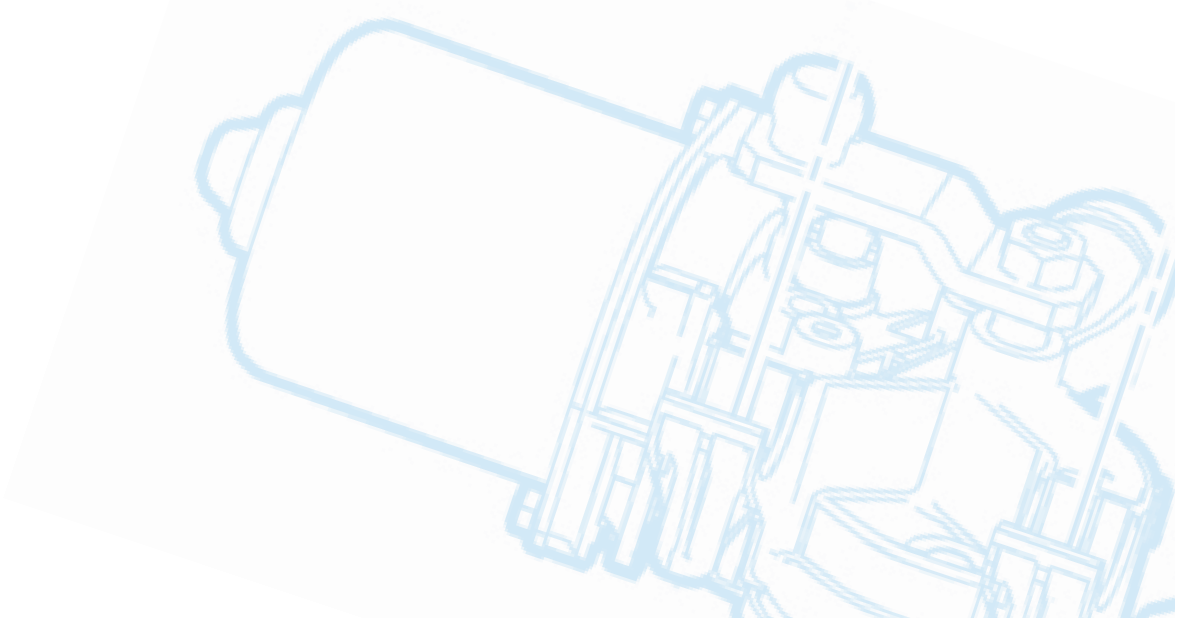
4mm ID PVC Hose
902 916



3.5mm ID Rubber Hose
741 511



Wiper Relay
601 195



Mekra 373 Series Mirror Flat



Flat Glass
 Electric Heated
 380x190mm
Part numbers
 Left: M-51.3735.106
 Right: M-51.3736.106
 Glass: M-15.3731.104
 Back Cover: M-11.3730.210

Mekra 373 Series Mirror Convex



Convex Glass
 Electric Heated
 380x190mm
Part numbers
 Left: M-51.3735.126
 Right: M-51.3736.126
 Glass: M-15.3731.074
 Back Cover: M-11.3730.210

Mekra 363 Series Mirrors



Manual
 Non Heated
 380x190mm
Part numbers
 Flat glass version: M-51.3636.201
 Replacement Glass: M-15.3731.104
 Convex glass version: M-51.3635.201
 Replacement Glass: M-15.3802.640

Mekra 320 Series Mirrors



Electric Heated
 380x190mm
Part numbers
 Flat Glass version : M-51.3200.197
 Replacement Glass: M-40.2500.600
 Convex glass version: M-51.3200.147
 Replacement Glass: M-40.2500.222

Mekra 320 Series Mirrors



Electric
Heated
Split Mirror
380x190mm
Part numbers
M-51.3209.197

Mekra 387 Series Mirrors LH



Electric Heated
Split Mirror
Part numbers
Pole Mount Size 18-24mm - M-51.3874.315
Pole Mount Size 20-30mm - M-51.3874.325
Replacement Top Glass - M-15.3831.190
Replacement Bottom Glass - M-15.3831.110

Mekra 387 Series Mirror



Heated
Flat Glass
Pole Mount Size 18-24mm
Part numbers
M-51.3871.303
Replacement Glass: M-15.3831.104

Mekra 387 Series Mirrors RH



Electric Heated
Split Mirror
Pole Mount Size 20-30mm
Part numbers
M-51.3875.325
Replacement Top Glass - M-15.3831.190
Replacement Bottom Glass - M-15.3831.110

Metagal Split Mirror



Electric
 Heated
 15" Split Mirror
 Can be used for LH or RH
 Part number M-2008500
 Replacement Top Glass & backing - M-60A0879
 Replacement Bottom Glass & backing - M-60A0848

Universal Split Mirror



Split Mirror Head
 Manual
 Pole Size Mount 19-21mm
 Mirror Head Size 380x200mm
 LH M-Ki14974
 RH M-Ki14975



Universal Flat Mirror



Flat Mirror Head
 Pole Size Mount 19-21mm
 Mirror Head Size 380x200mm
 M-Ki14973
 Replacement Glass: M-Ki000571

Universal Flat Mirror



Flat Mirror head
 Pole Size Mount 19-21mm
 Mirror head size 427x200mm
 M-6062800

Universal Spotter/Kerb Mirror



319x187mm
M-59.5520.530

Universal Spotter Mirror



Convex Glass
214x164mm
Heated 24V - M-56.2660.147
No Heat - M-56.2660.127

Universal Spotter Mirror



Convex Glass
219x170mm
Heated 24V P/N - M-56.3860.114
Heated 24V & Electric LH M-56.3861.116
Heated 24V & Electric RH M-56.3862.216



Universal Mirror

377x185mm
 Flat Glass Version - M-51.2500.167
 Convex Glass version - M-51.2500.127



Spotter Mirror

Flat Glass
 315x188mm
 M-51.2510.167



Spotter Mirror With bracket

410x210mm
 M-55.2462.117



Universal Mirror

Convex Glass
 376x187mm
 M-51.3640.127



Spotter Mirror With Bracket

260x160mm
 M-56.1561.119



Internal Spotter Mirror

152mm
 M-56.1471.117



Rear Door Spotter Mirror With bracket

315mm
 M-55.3000.108



Mirror With Digital Clock

M-T93001

Mekra RHS Arm

M-58.2704.042
Bracket & Harness Included



Mekra Arm

M-58.2704.044 - 216x500mm
Bracket & Harness Included



Mekra Arm

M-58.2704.045 - 390x380mm
Bracket & Harness Included



Mekra LHS Arm

M-58.2704.046 - 600x390mm
Bracket & Harness Included



Mekra LHS Arm

M-58.2704.097 - 320x520mm
Bracket & Harness Included



Mekra RHS Arm

M-58.2704.098
Bracket & Harness Included



Mekra LHS Arm

M-58.2700.090.011
Bracket & Harness Included



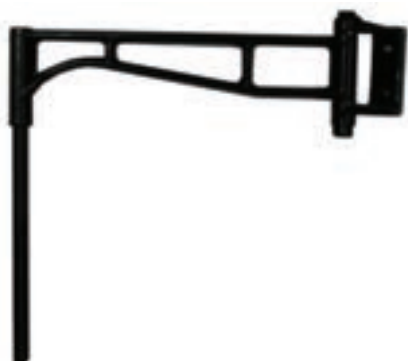
Universal Arm

M-2035500 - 140x380mm



Universal Arm

M-2066900 - 390x380mm



Universal Arm LH

M-2045290 - 510x405mm



Canon Arm

M-A21CP005-210mm Long
M-A21CP004- 320mm Long
M-A21CP003- 450mm Long





Mekra Mirror Switch

M-08.3200.233



Metagal Mirror Switch

Left-M-501650
Right-M-501660



5M Mekra Control cable

M-09.3200.341



Mekra Motor Drive 24V

M-08.3201.324



Internal Mirror Bracket

M-58.2460.110



Flexible Bracket

M-11.1523.222



180mm Arm

M-11.3001.100



Replacement Wedge Mount & 5m Cable

Suit Mekra Mirror Arms
M-20.2480.217



Stick on Blind Spot Convex Mirror

M-1128



Dump Hose
3 Metre T-1293-101
6 Metre T-1293-105



Thread-On Adaptor
T-01959-32



Slide Valve
T-08706



Pneumatic Slide Valve
T-C8008



Bump Hose Adaptor
Straight - T-02593
Curved - T-01665



Bayonet Ring
T-01639



Seal Repair Kit
T-09872



Cap & Wire
T-01664



Floor Flange - Female Thread
T-02621



Floor Flange - Male Thread
T-02620



6" Adapter Nipple
T-08647



10" Adapter Nipple
T-08648



Whale Pump
T-WHP001



Johnson Pump
CM30 - T-10-24504
CM90 - T-2475002



Shurflo Pump
T-041556



Flojet Pump
T-04325



Cover & Bowl Assembly (Electra Magic)
T-03912-57



Cover/Lid (Electra Magic)
T-03916-57



Seat & Bumper (Electra Magic)
T-03904-57



Main Housing (Electra Magic)
T-08167



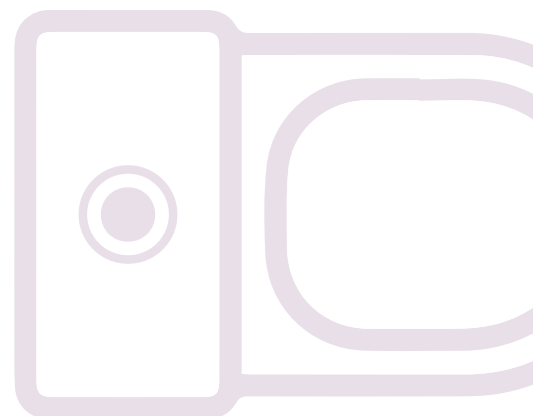
Aqua Blue Sachet 12pk
T-30189ZK



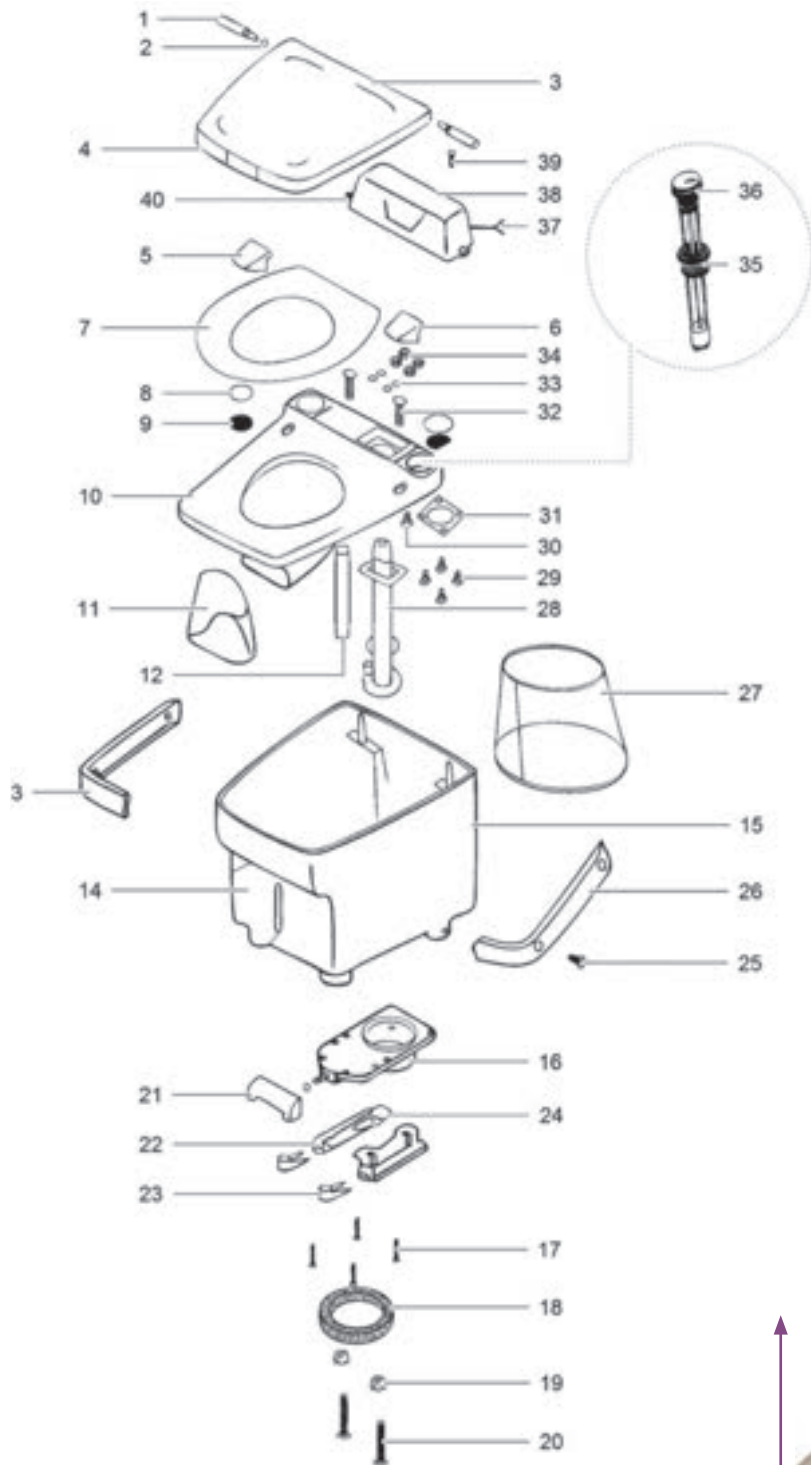
Motor Cover
T-03926-57



Pump & Motor
T-14083



Electra Magic Toilet



Complete toilet unit 24V - T-24215



536mm

432mm

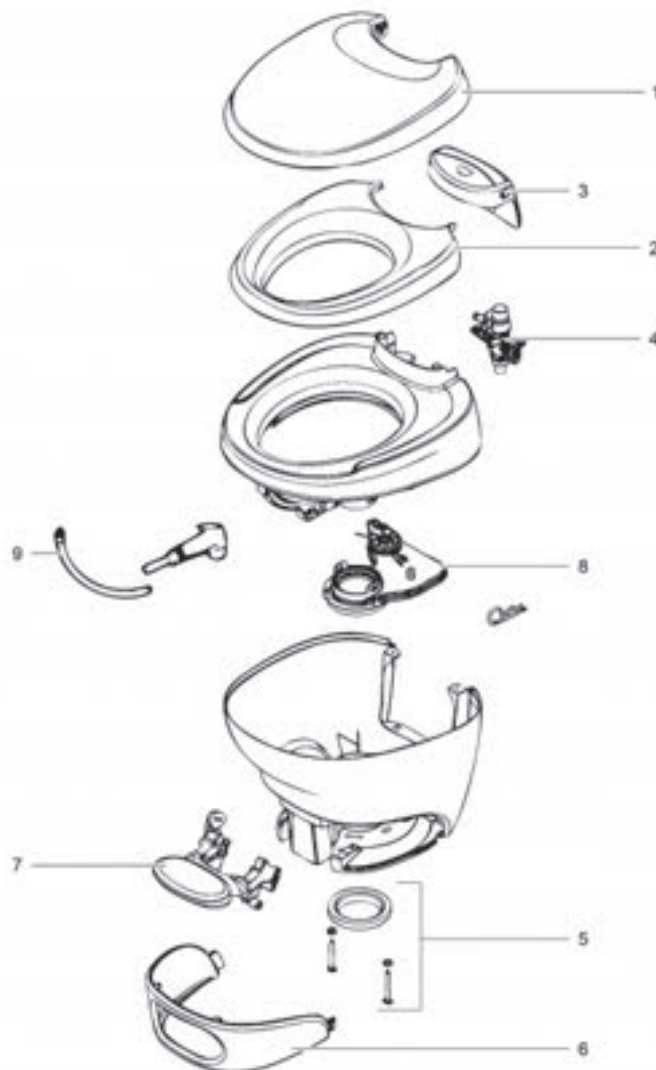
503mm

Electra Magic Toilet

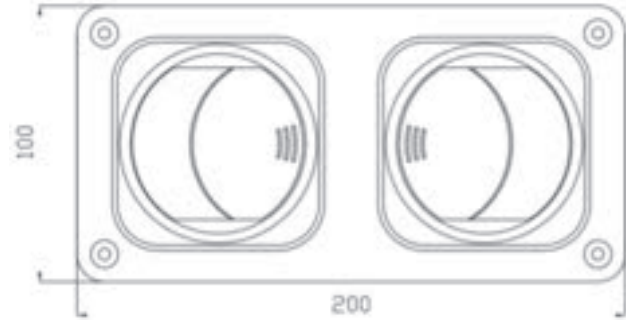
Description	Part Number	Part Number	Part Number
1. Hinge pin			
2. Retaining ring	T-35788	T-03916-57	
3. Cover			
4. Seal			
5. Hinge left	T35787		
6. Hinge right		T-03904-57	
7. Seat			
8. Cap			
9. Splash guard			
10. Cover & bowl		T-03912-57	
11. Vinyl skirt			
12. Inlet tube			
13. Base moulding left			
14. Main housing			
15. Main housing seal	T-08167		
16. Slide valve	T-08706		
17. Screw			
18. Closet flange seal			
19. Nut		T-02125	
20. Closet bolt			
21. Handle			
22. Retaining ring			
23. Slide			
24. Mounting bracket	T-08636		
25. Screw			
26. Base moulding right			
27. Filter cone	T-05534		
28. Pump			
12V Motor	T-35785	12V Pump & Motor	24V pump & Motor
24V Motor	T-20799	T-35774	T-14083
29. Screw			
30. Screw			
31. Gasket			
32. Screw			
33. Lock Washer			
34. Nut			
35. Grommet			
36. Level indicator		T-35772	
37. Cable			
38. Motor cover			
39. Screw		T-03926-57	
40. Switch			

Bravura Toilet

Description	Part Number
1. Cover	T-36766
2. Seat	
3. Pod	
4. Water module	T-31113
5. Closet flange	T-31115
6. Shroud (high model)	T-31117
7. Pedal	T-31114
8. Mechanism seal package	T-31112
9. Water saver	T-31116

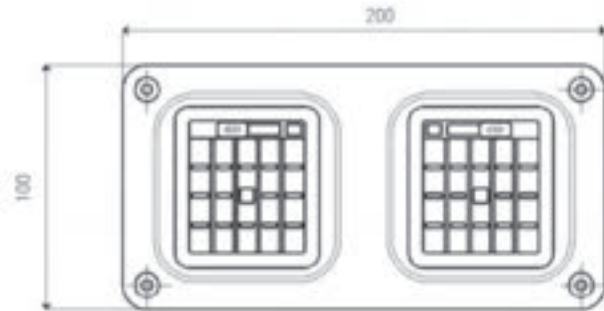


Complete unit 14 Inch Low Model
 - T-31086-L
 Complete unit 18 Inch High Model
 - T-31084



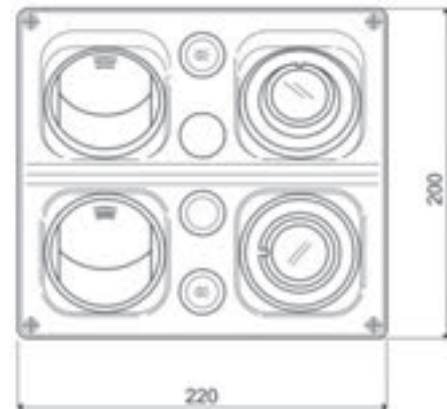
Multiset Vents

Black - V-P234/67447
 Grey - V-P234/67457



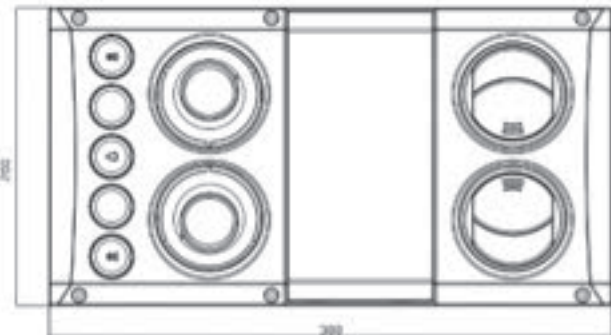
Multiset Adjustable Vents

Black - V-P235/67467 - 200x100mm



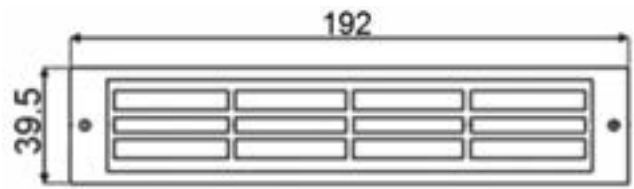
Multiset Vents & Lights

Black - 220x200mm
 Left - V-P140/65932
 Right - V-P140/65942



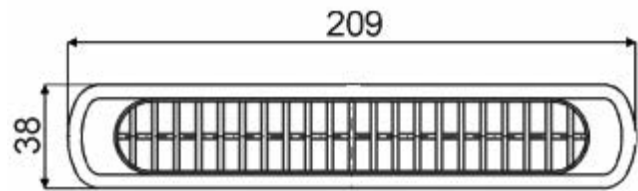
Multiset Vents, Lights & Speaker

Grey - V-P158/67407



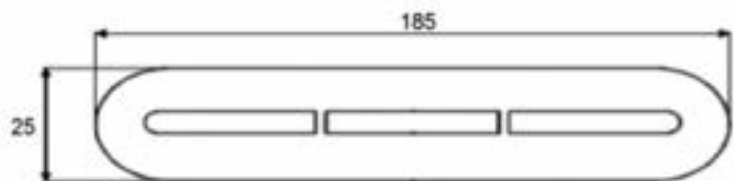
Air Diffuser - Grey

V-P123/65582



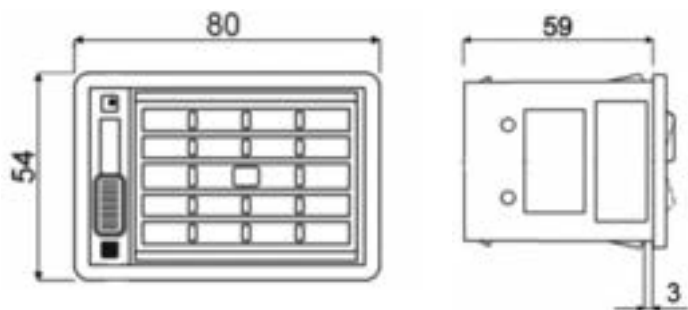
Air Diffuser

Grey - V-P194/67319
Black - V-P194/65767



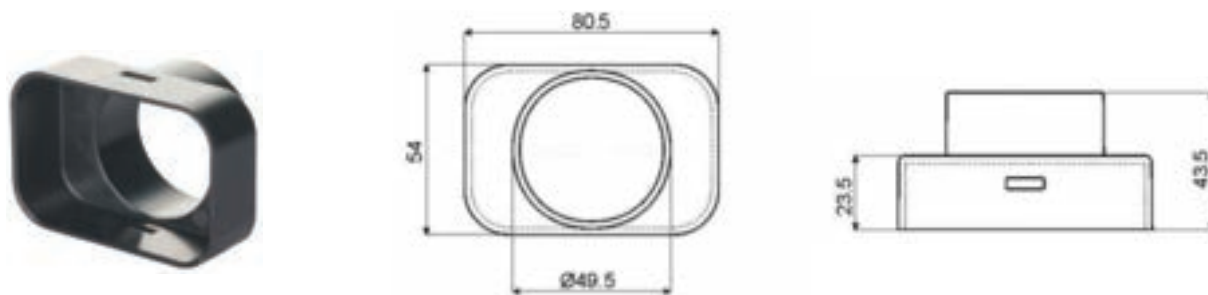
Relief Nozzle

Black - V-PBN11-B
Grey - V-PBN11-G



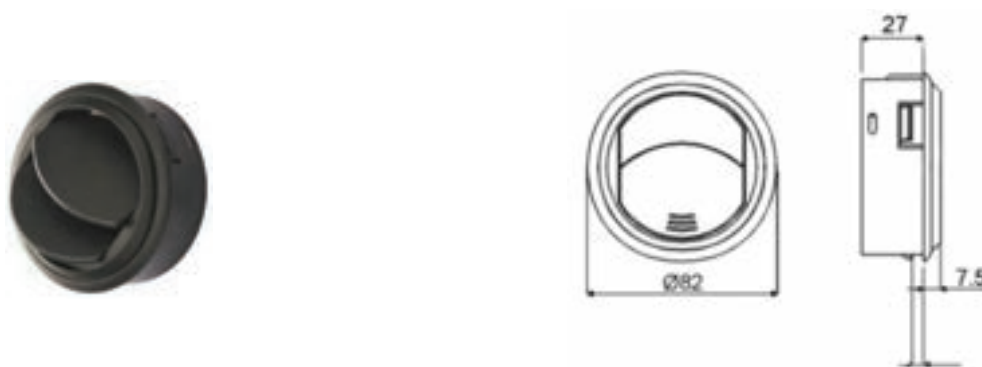
Adjustable Vent

Left - V-P233/67377
Right - V-P233/67387



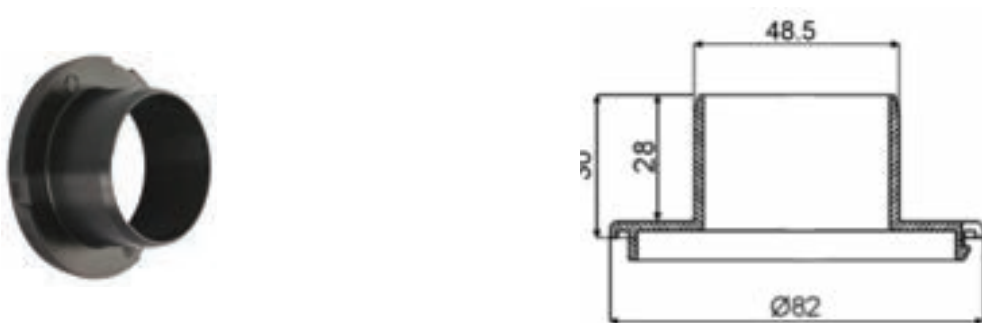
Reducer For P233 Adjustable Vent

V-P330/69808



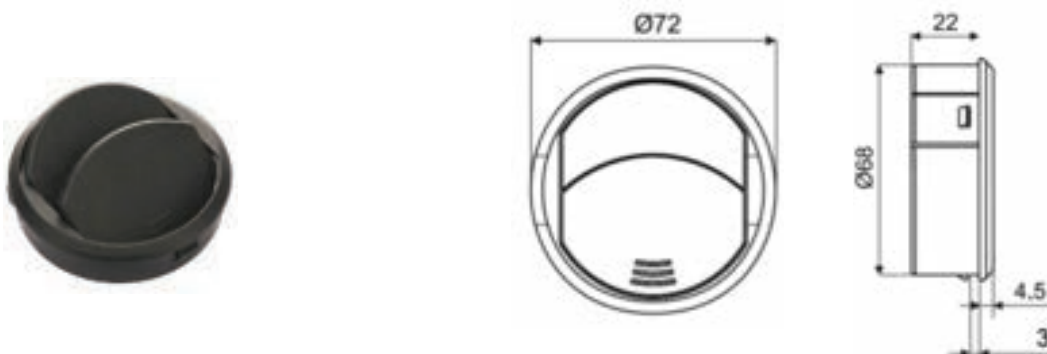
Round Air Diffuser

Black - V-P236/65718 - Panel 3mm
 Grey - V-P236/67597 - Panel 5mm



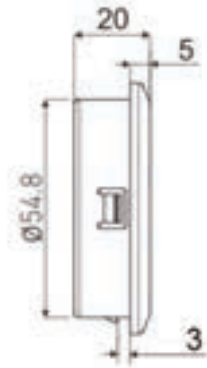
Reducer For P236

Black - V-P129/65707



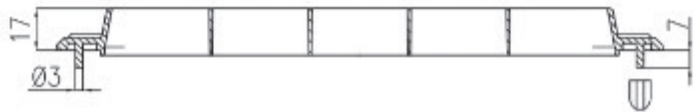
Air Diffuser

Black - V-P145/62292



Air Diffuser Vent

Black - V-P343/62349



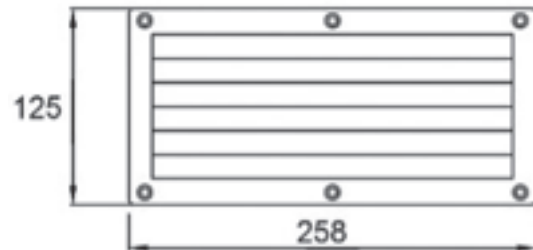
Window Defrost Vent

Black - V-P168/63987



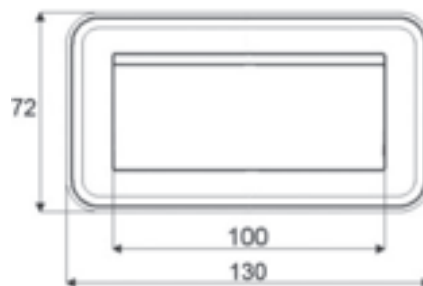
Adjustable Vent

Black - V-P110/60138



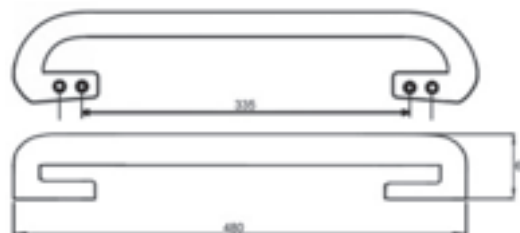
Louvre Vent

Plastic
Colour - Black - V-220175



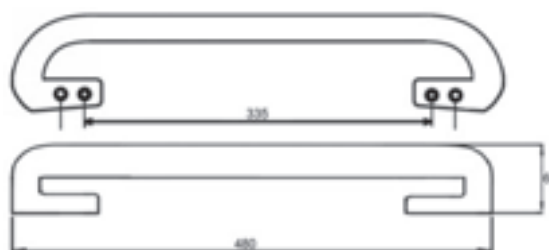
Recessed Handle

LK-293706



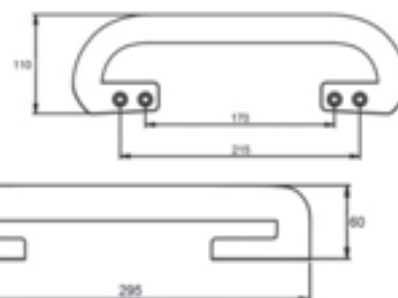
Black Handle With Yellow Stripe

LK-292576



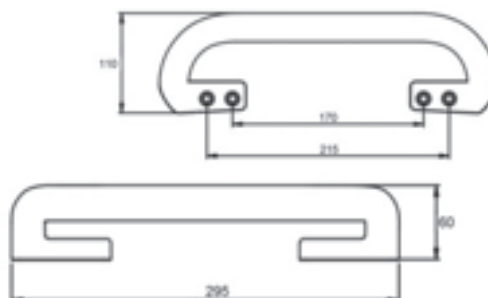
Black Handle

LK-292575



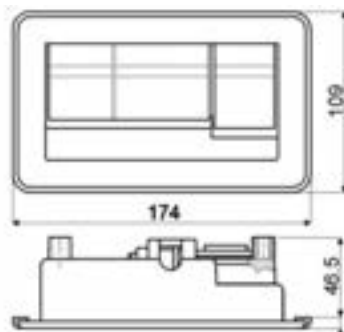
Short Black Handle

LK-292574



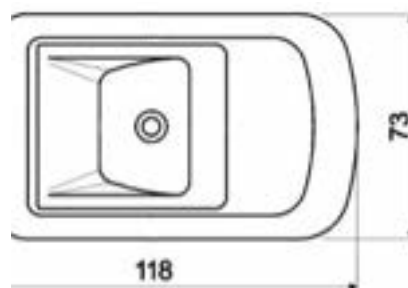
Short Yellow Handle

LK-292573



Luggage Door Handle Lock with Key

LK-P119m/51221



Internal Handle

LK-P246/68138



Grey Grab Handle

SE-P318/67098

Yellow Grab Handle

SE-P318/60081



Grey Grab Handle

Antibacterial polypropylene handgrip
30mm pole Mounting - SE-P31/64832
35mm pole Mounting - SE-P31/65272

Grab Handle

SE-GH001



Floor Trap Fastener

LK- 297998



Barrel Lock

LK-41600



Quarter Turn Latch

LK-5188



D Ring Pull Lock

LK- 297999



T-Key

3 Inch - LK-2257/001
5 Inch - LK-2257



8mm Square Key

LK-10413



Budget Lock 82 x 22

Left - 421024
Right - 421025



Escutcheon Lock Round

LK-013001



Escutcheon Lock Square

LK-16200



Nylon Claw Catch

LK-033146



Cast Claw Catch

LK-2132002



Slam Lock

LK-746400



Slam Lock With Handle
LK-103380



Budget Lock Large
125x28mm
LK-70601



Compression Latch
LK-C23335



Compression Latch - Key Locking
LK-C23325



Rubber Door Holder
LK-066601



Rubber Door Holder
LK-066602



Toilet Door Lock
T-IB0000





Yutong Headlight

Left - HL-DB-H02-059L
Right - HL-DB-H02-059R



Headlight Coach Concepts

Left - HL-HC1071L
Right - HL-HC1071R



Coach Design Headlight

Left - HL-00205400154
Right - HL-00205400254



Coach Design Indicator

Left - HL-0018206221
Right - HL-0018206321



Headlight Irizar 6

Left - HL-1003-4L
Right - HL-1004-3R



Fluorescent Light - Recessed Mount

Cut out dimensions 624x119mm
E-FLR124/24



LED Wedge T10x28mm

E-LEDT1028FW



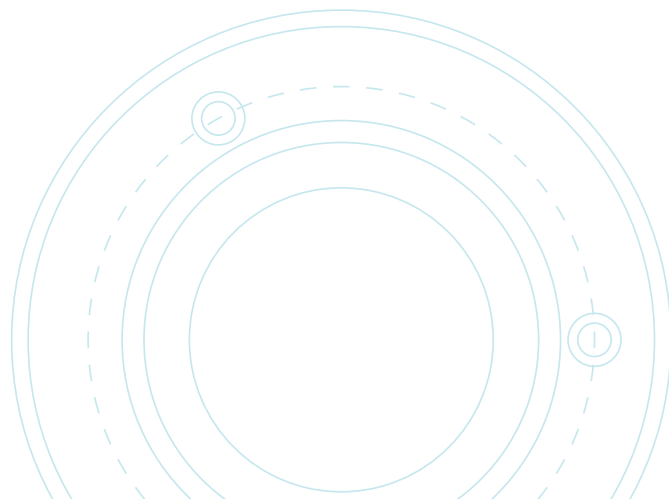
LED Wedge T10x23mm

E-LEDT1023FW

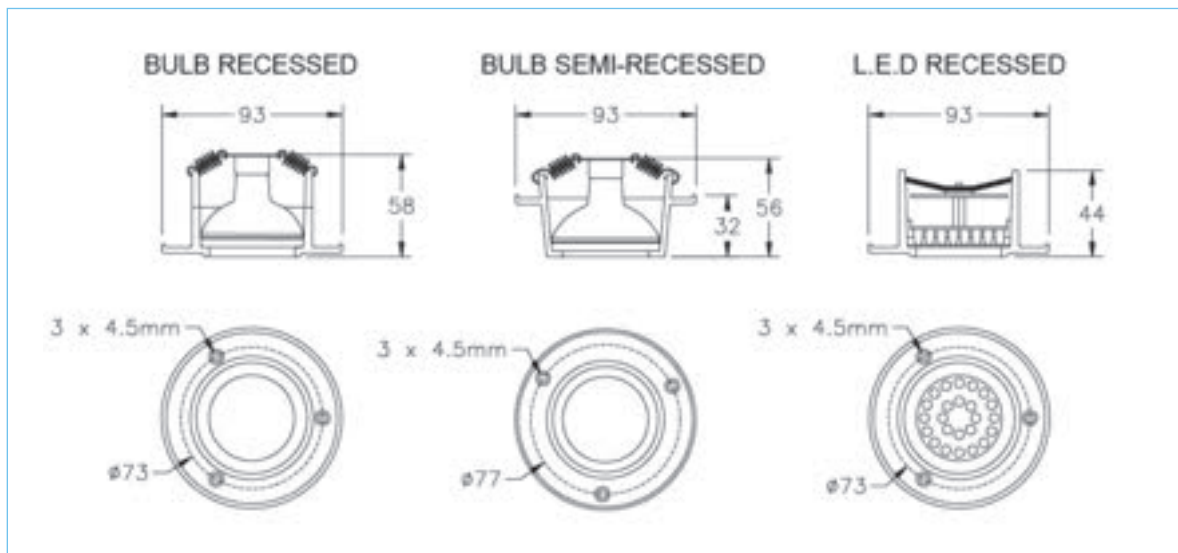


Safety Triangle Kit x 3

SE-84200



Model No.	Style	Wattage	Voltage DC	Colour	Light Angle°
HAL 4	Recessed	20	12/24	White	38°
HAL 5	Semi-recessed	20	12/24	White	38°
HAL 10	Recessed	20	12/24	Grey (RAL7024)	38°
HAL 11	Semi-recessed	20	12/24	Grey (RAL7024)	38°
HAL 12	Recessed	10	12/24	Grey (RAL7024)	38°
HAL 13	Semi-recessed	10	12/24	Grey (RAL7024)	38°
HAL 14	Recessed	20	12/24	Grey (RAL7005)	38°
HAL 15	Semi-recessed	20	12/24	Grey (RAL7005)	38°
HAL 16	Recessed	10	12/24	Grey (RAL7005)	38°
HAL 17	Semi-recessed	10	12/24	Grey (RAL7005)	38°
HAL 18	Recessed	L.E.D.	12/24	White	38°
HAL 19	Recessed	L.E.D.	12/24	Grey (RAL7024)	38°
HAL 20	Recessed	L.E.D.	12/24	Grey (RAL7005)	38°



LED Downlight - White
E-HAL18LED



LED Recessed Downlight - Grey
E-HAL19LED



LED Downlight - Grey
E-HAL21LED



Surface Mounted Light

SE-400-882S24
LED - SE-450882S-24



Window Mounted Light

SE-400-882W24
LED - SE-450882W-2



Flush Mounted Light

SE-400-882F24
LED - SE-450882F-24



LED Slim Surface Mount Light

SE-7509017



School Bus Switch

Switch 511002 Insert 595144



Magnetic Reed Switch

SE-510-5153



Globe To Suit School Lights

20W - E-060024GL
35W - E-882652GL



School Bus Flasher Vic

SE-930BF100



NSW School Bus Flasher 24V

SE-930BF600



Adhesive Gasket For School Light

SE-4020003



Replacement Lens & Gasket

SE-5629055



NSW Black Plate Surround

SE-7522240

A wide range is available to suit your application.



6" Cabin Fan 12/24V 2 Sp

12V = E-FK1123-12V
24V = E-FK1126-24V



Digital Clock 12Hr 24V

220x85mm
E-DTS001SG



Bus Stopping Sign

340x105mm
E-BS00124V



Fasten Seat Belts Sign

340x105mm
E-FS00124V



Fasten Seatbelts Flashing Sign

198x80mm
E-E611/1 24V



Exit Sign

121x64mm
E-TV79211



Limit Switch

E-FR555-1



Bosch Mini Relay

E-0332209204



Reverse Alarm

12-24V 97db
E-BA34897



Reverse Alarm

12-36V 90db
E-BA47



Contact Block

E-M22-K10



Contact Block

E-M22-K01

INVERTERS

XBSSR Series



Description	Model No.	Nominal Voltage DC	Current DC	Dimensions L x W x H	Frequency	Tubes Sizes
Standard	XBSR/24	24V DC	1.5A max	203x43x30mm	35kHz	15 - 58 watt
Standard	SRT5/24	24V DC	1.2A max	199x34x30mm	34kHz	14 - 35 watt T5
Twin Tube	SR213/24	24V DC	1.25A max	203x43x30mm	35kHz	2 x 13 watt T5
Twin Tube	SR220/24	24V DC	1.4A max	203x43x30mm	325kHz	2 x 15/18 watt T8
Twin Tube	SR228/24	24V DC	2.0A max	203x43x30mm	35kHz	2 x 21/28 watt T8
Twin Tube	XBSR240/24	24V DC	2.0A max	256x43x30mm	55kHz	1 or 2 x 15 - 36 watt T8
Dimmable	XBSRD/24	24V DC	1.5A max	203x43x30mm	35kHz	15 - 58 watt
Dimmable	XBSR/24HDD	24V DC	1.5A max	232x43x30mm	32kHz	15 - 58 watt
Dimmable	SRD213/24	24V DC	1.25A max	203x43x30mm	32kHz	2 x 13 watt T5
Dimmable	SRD220/24	24V DC	1.4A max	203x43x30mm	32kHz	2 x 15/18 watt T8
Dimmable	SRD228/24	24V DC	2.0A max	203x43x30mm	32kHz	2 x 21/28 watt T5
Twin 48V AC	SR220/48AC	48V AC	0.7A (AC)	203x43x30mm	32kHz	2 x 15/20 watt T8
Twin 48V AC	SR240/48AC	48V AC	1.2A (AC)	256x43x30mm	55kHz	2 x 36 watt T8

XB Series

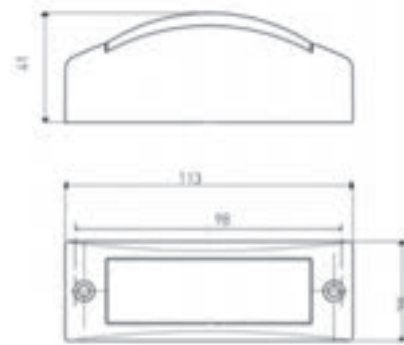


Description	Model No.	Nominal Voltage DC	Current DC	Dimensions L x W x H	Frequency	Tubes Sizes
Standard	XB120	12&24V DC	1.4 & 0.9A	203x43x30mm	35kHz	15 - 20 watt T8
Heavy Duty	XB120/HD	12&24V DC	1.6 & 0.7A	199x34x30mm	34kHz	15 - 20 watt T8
HD Soft Start	XB120/HD	12&24V DC	2.2 & 1.2A			30 - 36 watt T8
HD Soft Start	SXB120/SS	12&24V DC	0.65 & 1.4A	203x43x30mm	325kHz	15 - 20 watt T8
HD Soft Start	SXB140/SS	12&24V DC	2.0 & 0.2A	203x43x30mm	35kHz	30 - 36 watt T8
Door switching	XB115/DS	12&24V DC	1.5 & 0.7A			15 watt T8
Door switching	XB120/DS	12&24V DC	1.7 & 0.9A	203x43x30mm	35kHz	18 - 20 watt T8
Door switching	XB121/24DS	24V DC	1.0A max	232x43x30mm	32kHz	14 - 21 watt T5
Door switching	XB140/DS	12&24V DC	2.6 & 1.4A	203x43x30mm	32kHz	30 - 40 watt T8
Dimmable HD	XBD120/HD	12&24V DC	1.5 & 0.7A	203x43x30mm	32kHz	4 - 13 watt T5
Dimmable HD	XBD140/12	12V DC	2.0A max			
Dimmable SS	XBD140/24SS	24V DC	1.2A max	203x43x30mm	32kHz	2 x 15/20 watt T8
High Frequency	XBT5/12HF	12V DC	1.5A max	203x43x30mm	32kHz	4 - 13 watt T5
High Frequency	XB130/12HF	12V DC	1.7A max			
HF Dimmable	XBD130/12HFSS	12V DC	1.2A max	203x43x30mm	32kHz	2 x 15/20 watt T8
Compact PL	XBPL11/24AC	24V AC	0.6A (AC)	199x34x30mm	75kHz	1 x 9 - 13 watt PL

Echno Series

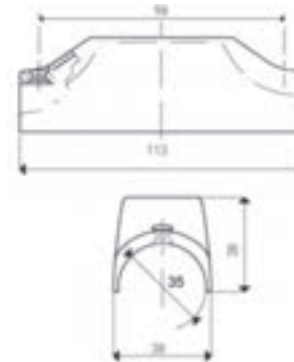


Description	Model No.	Nominal Voltage DC	Current DC	Dimensions L x W x H	Frequency	Tubes Sizes
Standard	EC136/24	24V DC	1.0A max	153x34x24	35kHz	15 - 36 watt T8
Standard	EC136/24	24V DC	0.9A max	199x34x24	50kHz	14 - 28 watt T5
Dimmable	EC136/24D	24V DC	1.0A max	153x34x24	35kHz	15 - 36 watt T8
Dimmable	EC128/24D	24V DC	0.9A max	199x34x24	50kHz	14 - 28 watt T5
Door Switch	EC136/24DS	24V DC	1.0A max	173x34x24	35kHz	15 - 36 watt T8
Door Switch	EC128/24DS	24V DC	0.9A max	173x34x24	50kHz	14 - 28 watt T5
L.E.D.	EC136/24LED	24V DC	1.0A max	152x43x30	35kHz	15 - 36 watt T8
L.E.D.	EC128/24LED	24V DC	0.9A max	152x43x30	50kHz	14 - 28 watt T5



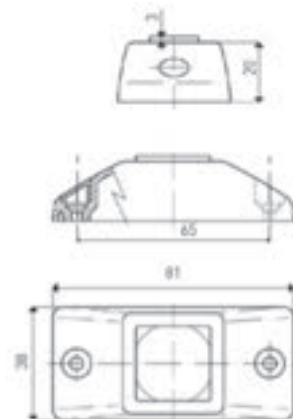
P288 Series Pole Mount

- Yellow/Red 'STOP' - SE-P288/65678
- Yellow/Red - SE-P288/62628
- Blue/Light Blue 'STOP' - SE-P288/62001



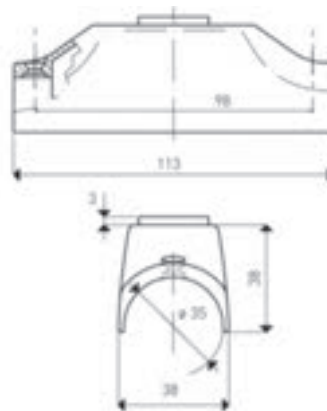
P105bis Flush Button

- Yellow/Red - SE-P105bis/64737
- Grey/Red - SE-P105bis/64757



P167E Raised Button Wall Mount

- Yellow/Red Wheelchair Symbol - SE-P167e/61248
- Red/Red Wheelchair Symbol - SE-P167e/64307
- Blue/Light Blue Wheelchair Symbol - SE-P167e/62031
- Blue/Blue Wheelchair Symbol - SE-P167e/66381
- Blue/Yellow 'STOP' - SE-P167e/66701
- Yellow/Red 'STOP' - SE-P167e/66007



P105e Raised Button Pole Mount

Yellow/Red 'Stop' - SE-P105e/65997
 Blue/Blue Wheel Chair Symbol - SE-P105e/68121
 Grey/Red 'Stop' - SE-P105e/67507



Teknoware Wireless Stop Button

Wall Mount - SE-TSF0301
 Pole Mount - SE-TSF0300



Wheel Chair Wall Mount

SE-TSF0303



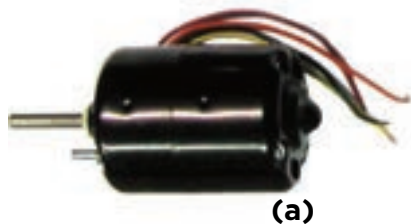
30mm Reducer For Pole Stop Buttons

Black - SE-P104/64357
 Yellow - SE-P104/64377
 Red - SE-P104/61397
 Blue - SE-P104/64367
 Grey - SE-P104/64387

Blower/Heater Motor

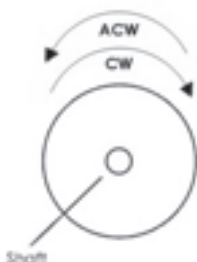


Part Number	Overall Length	Shaft Ø	Shaft Length	Body Ø	Body Length
2807.516.064 (2807.516.033)	290mm	8mm	85mm	75mm	105mm
2807.510.194 (2807.510.124)	255mm	8mm	75mm	75mm	85mm



Part Number	Overall Length	Shaft Ø	Shaft Length	Body Ø	Body Length	Direction
2807.404.033 (a)	120mm	6mm	35mm	75mm	65mm	CW
2807.510.068 (a)	145mm	8mm	35mm	75mm	85mm	CW
2807.510.069 (a)	145mm	8mm	35mm	75mm	85mm	ACW
0130007066 (b)	105mm	6mm	22mm	50mm	75mm	CW

Note: Direction is determined from looking at the face of the shaft





Aurora Teddy Unit 24V
HM-151552



Aurora Mini Heater
HM-151.302.0000



Aurora Heater Blower 24V
HM-DRG730



Barrel Rotor
HM-R14101L089



Heater Blower Unit 24V
Pos = HM-006B4022P.C
Neg = HM-006B4022N.C



Heater Motor w/Rotors
HM-0130063029



Aurora Fan Blade
HM-43171



Aurora Radial Blower
HM-DRG540



Radial Blower
HM-010B7074DT



Aurora Control Knob
HM-339100



Multiflex Ducting Hose
HH-50mm



Bracket & Sensor

SE-2740039a



Emergency Hammer

SE-2740037a



Emergency Hammer With Belt Cutter

SE-274133



Cabled Emergency Hammer

300mm - SE-2740040



Emergency Hammer With Cable & Bracket

SE-274044a



1. Emergency Hammer With Bracket

SE-P86/52080



2. Emergency Hammer With Bracket & Belt Cutter

SE-P251/69097



3. Emergency hammer With Bracket & Cable

SE-P86/57720



Seat Pocket (Plastic)

365x180mm
S-6065175



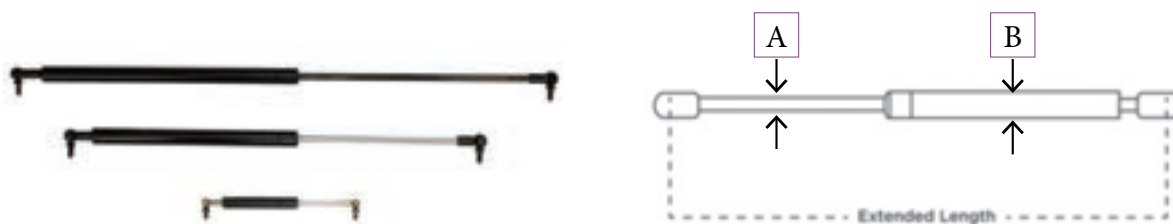
Seat Pocket (Metal)

360x220mm
S-620881



Gear Boot

R-BM087



Gas Struts - Size Made to suit. Eyelet or Ball cup fittings included.

Extended length (centre to centre) =
 Newton Force =
 Tube A diameter =
 Tube B diameter =



Support Connectors

T piece 35mm - P/N SE-P42/66468
 Pole & Window Panel support 35mm - P/N SE-P36/66278
 Elbow Piece 35mm - SE-P315/67188
 Wide range of connectors & colours available



Stainless Steel Hinge

LK-293546



Tyre Gloss 25L drum

C-TG25



Cup Holder

LK-CPHLDR



Step Edge in Bracket Metre

40x18mm - R-2269



Adhesive Step Edge Per Metre

40mm - R-2264

Sun Blinds

All blinds supplied with Guide Rods and mounting kits
 Custom Sizing also Available



Electric Blinds

Width x Drop

- 2100mm x 650mm - B-2100650-24V
- 1800mm x 650mm - B-1800650-24V
- 1040mm x 1200mm - B-10401200-24V
- 1000mm x 1000mm - B-10001000-24V

Manual Blinds

Width x Drop

- 1030mm x 1000mm - B-10301000
- 900mm x 1000mm - B-9001000
- 900mm x 450mm - B-900450
- 700mm x 600mm - B-700600
- 580mm x 450mm - B-580450





Give Way Decal

240x225mm
DE-69038



Mother & Child Decal

400x300mm DE-0014
600x300mm DE-0013



Break Glass Decal

120x120mm
DE-10011



School Bus Decal

600x150mm DE-2659
1200x200mm DE-0079
Decals can be applied to aluminium plate



No Smoking Decal

80x820mm
DE-NSD01



Do Not Overtake Decal

300x100mm
DE-2BSN681



Emergency Exit Reflective Decal

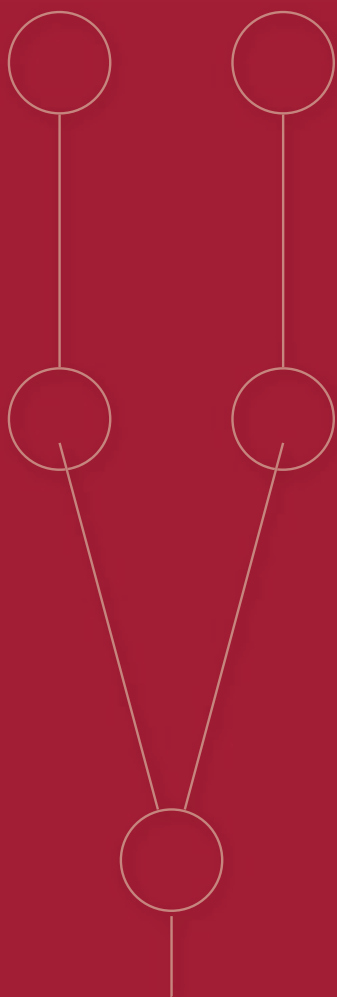
600x80mm DE-22800



Capacity Decal

DE-69011





KIRG
IMPORTERS PTY. LTD.

Tel +61 3 9465 6955
Fax +61 3 9465 6977
Email sales@kirg.com.au
www.facebook.com/kirgimporters
www.kirg.com.au